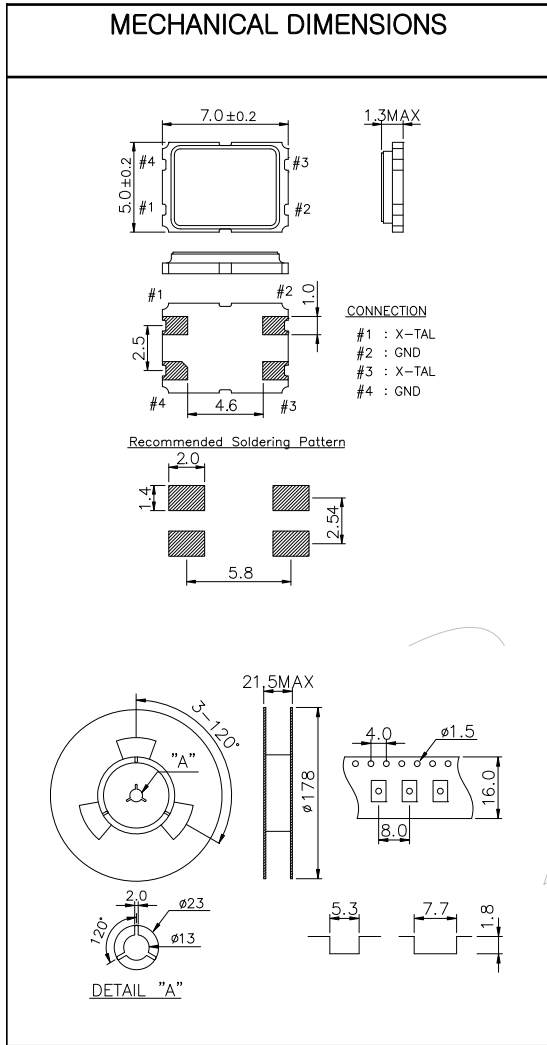
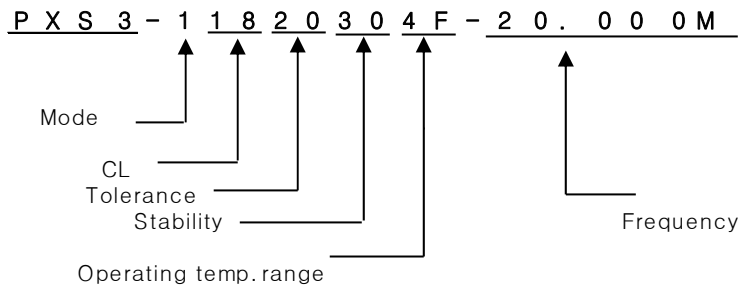


# X-TAL

PXS3 : 7.0\*5.0mm  
SMD PACKAGE

## \* PART NUMBERING GUIDE



### ELECTRICAL SPECIFICATION

Frequency Range	6.000MHz to 160.000MHz	
Load Capacitance(CL)	See Table1	
Oscillation Mode	1 : Fundamental 3 : 3 <sup>rd</sup> . overtone	
Frequency Tolerance at 25°C (RT)	Standard ±10.0ppm See Table2	
Frequency Stability over Operating temperature range(TC)	Standard ±30.0ppm/-40~85°C See Table3	
Temperature Range Operating(TR) Storage	See Table 4 -55°C to +125°C	
Drive Level(DL)	200 uW max.	
Shunt Capacitance(C0)	4.0pF max	
Aging	±2.0ppm per year max	
Insulation Resistance(IR)	500MΩ min at 100Vdc	

Frequency Range(MHz)	ESR(Ω max)	Mode
6.000~16.000	80	AT FUND
16.001~30.000	40	AT FUND
30.001~50.000	30	AT FUND
50.000~	80	3rd O/T

Table1		Table2		Table3		Table4			
Load Capacitance		Frequency Tolerance		Frequency Stability		Operating Temp. Range			
Symbol	CL(pF)	Symbol	RT(ppm)	Symbol	TC(ppm)	Symbol	TR(°C)	Symbol	TR(°C)
08	8	10	±10	30	±30	0	0	A	+50
10	10	XX	±XX	XX	±XX	1	-10	B	+60
18	18					2	-20	C	+70
30	30					3	-30	D	+75
S	Series					4	-40	E	+80
XX	XX							F	+85