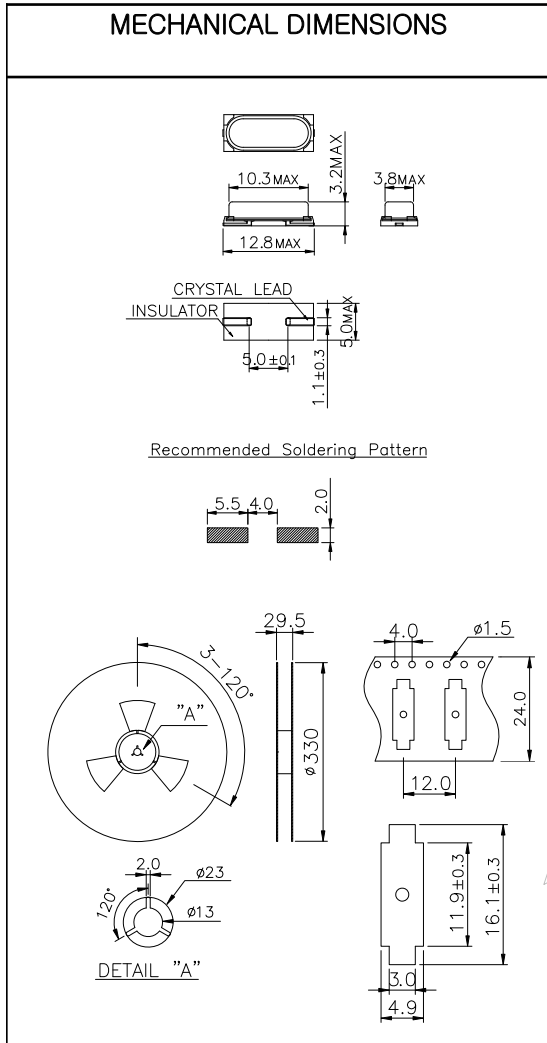
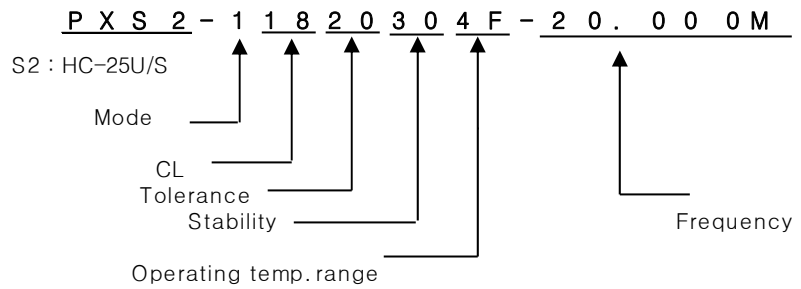


X-TAL

PXS2 : HC-25U/S
SMD PACKAGE

* PART NUMBERING GUIDE



ELECTRICAL SPECIFICATION

Frequency Range	3.579000MHz to 75.000MHz	
Load Capacitance(CL)	See Table1	
Oscillation Mode	1 : Fundamental 3 : 3 rd . overtone	
Frequency Tolerance at 25°C (RT)	±5.0ppm to ±50.0ppm (Standard ±50.0ppm) See Table2	
Frequency Stability over Operating temperature range(TC)	±5.0ppm to ±50.0ppm (Standard ±50.0ppm) See Table3	
Temperature Range Operating(TR) Storage	See Table 4 -40°C to 85°C (Standard)	
Drive Level(DL)	0.01mW to 1.0mW	
Shunt Capacitance(C0)	7.0pF max	
Aging	±3.0ppm per year max	
Insulation Resistance(IR)	500MΩ min at 100Vdc	
Frequency Range(MHz)	ESR(Ω max)	Mode
3.579~41,000	20~150	AT FUND
24.576~75.000	60~120	3rd O/T

Table1		Table2		Table3		Table4			
Load Capacitance		Frequency Tolerance		Frequency Stability		Operating Temp. Range			
Symbol	CL(pF)	Symbol	RT(ppm)	Symbol	TC(ppm)	Symbol	TR(°C)	Symbol	TR(°C)
08	8	05	±5	05	±5	0	0	A	+50
10	10	10	±10	10	±10	1	-10	B	+60
18	18	20	±20	15	±15	2	-20	C	+70
30	30	30	±30	20	±20	3	-30	D	+75
S	Series	50	±50	30	±30	4	-40	E	+80
XX	XX	XX	±XX	50	±50			F	+85
				XX	±XX				