

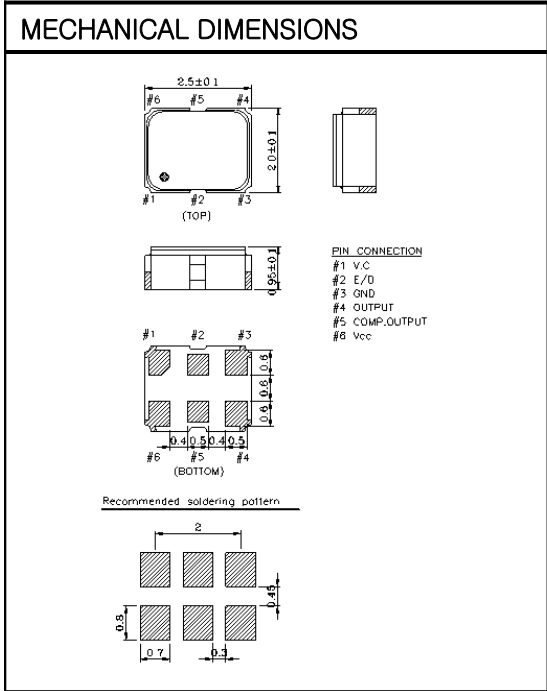
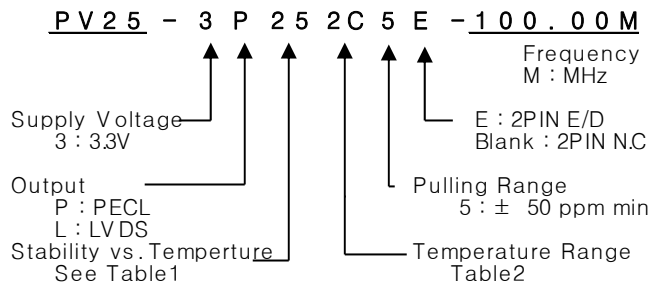
VCXO

PV25 Series

PECL/LVDS

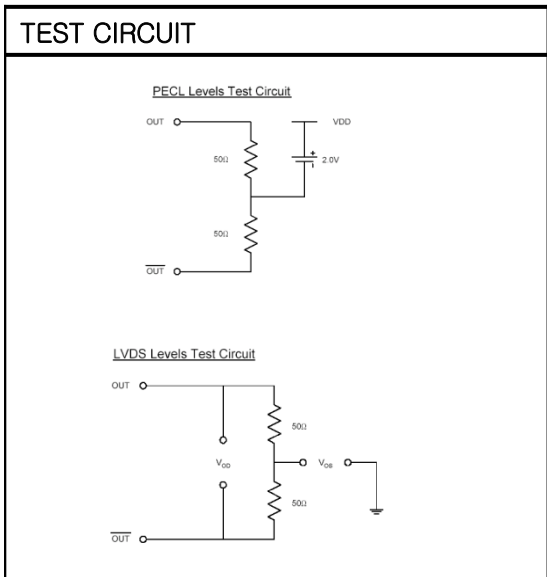
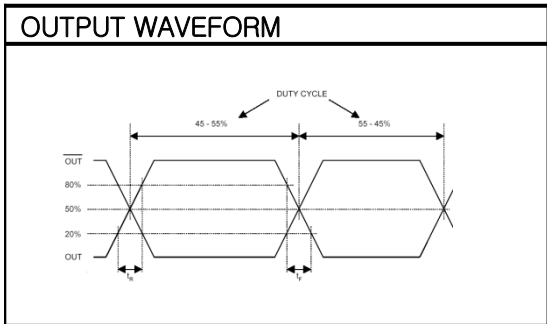
6PAD SMD PACKAGE

* PART NUMBERING GUIDE



ELECTRICAL SPECIFICATION

Frequency range	100.000MHz to 250.000MHz All combination of Frequency range Vs. Package type can not be available ,please contact factory	
Frequency Stability vs. Temperature vs. Aging	± 25 ppm to ±50ppm ±3.0 ppm max/ year	
Temperature Range Operating Storage	See Table 2 -55°C to 125°C	
Supply Voltage	3.3V ± 5%	
Input Current	80mA max	
Output characteristics	PECL(50ohms)	LVDS(100ohms)
Logic "1"	2.275Vmin -2.42Vmax	1.6V max.
Logic "0"	1.49Vmin -1.68Vmax	0.9V min.
Rise Time	1.0 ns max.	1.0 ns max.
Fall Time	1.0 ns min.	1.0 ns min.
Duty Cycle	50//50 ± 5%	50//50 ± 5%
Pull Characteristics		
Pulling Range	±50ppm min	
Control Range	1.65V ± 1.5V	
Linearity	10% max.	
E/D function	PIN2 : 0.7Vdd min. or open , output Enabled PIN2 : 0.3Vdd max. , output Disabled	
RMS Jitter(12KHz~20MHz)	1.0 ps max.	



ENVIROMENTAL & MECHANICAL SPECIFICATION

Shock	MIL-STD-883C, Method 2002, Condition B
Vibration	MIL-STD-883C, Method 2007, Condition A
Solderability	MIL-STD-883C, Method 2003
Seal integrity	MIL-STD-883C, Method 1014, Condition C & A2
Marking	MIL-STD-202F, Method 215

TABLE1

Symbol	Stability
25	± 25ppm
30	± 30ppm
50	± 50ppm
XX	±XXppm

TABLE2

Symbol	Temp.	Symbol	Temp.
0	0°C	A	50°C
1	-10°C	B	60°C
2	-20°C	C	70°C
3	-30°C	D	75°C
4	-40°C	E	80°C
		F	85°C