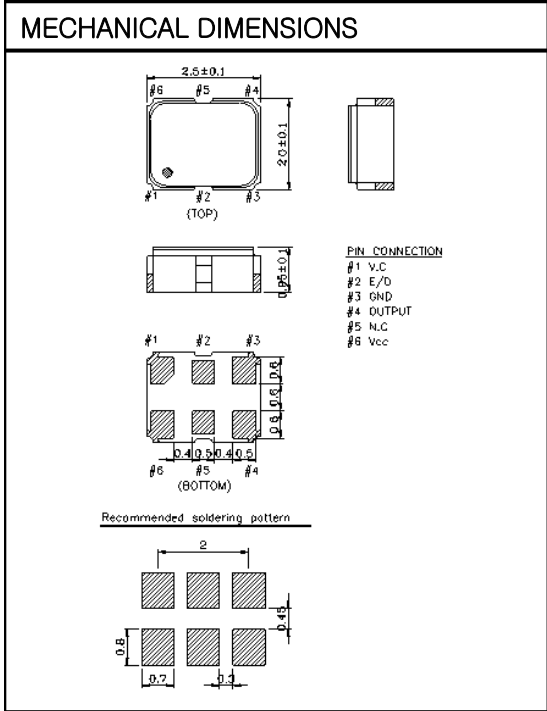
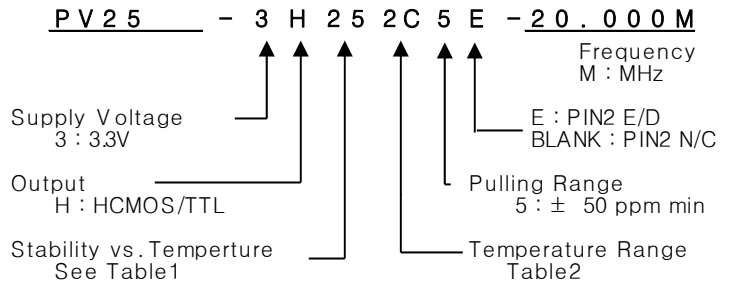


VCXO

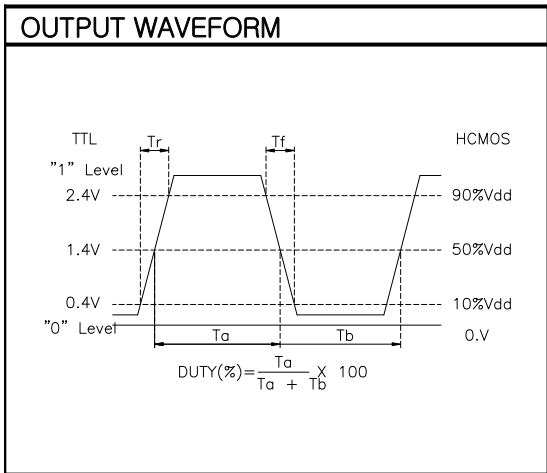
PV25 Series
HCMOS/TTL
6PAD SMD PACKAGE

* PART NUMBERING GUIDE

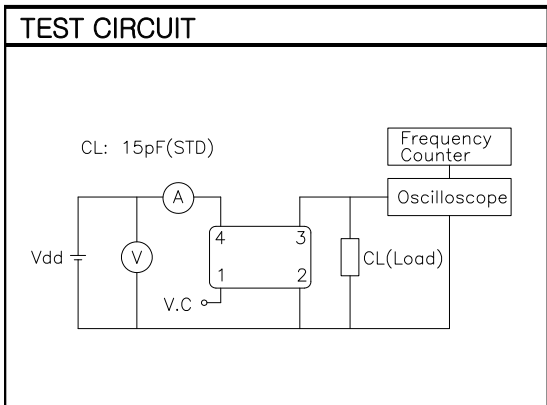


ELECTRICAL SPECIFICATION

Frequency range	2.048MHz to 250.000MHz All combination of Frequency range Vs. Package type can not be available ,please contact factory																		
Frequency Stability vs. Temperature vs. Aging	± 25 ppm to ±50ppm ±3.0 ppm max/ year																		
Temperature Range Operating Storage	See Table 2 -55°C to 125°C																		
Supply Voltage	3.3V ± 5%																		
Input Current	25mA max.																		
Output characteristics HCMOS / TTL	<table border="1"> <thead> <tr> <th></th> <th>HCMOS</th> <th>TTL</th> </tr> </thead> <tbody> <tr> <td>Logic "1"</td> <td>90% Vdd min</td> <td>2.4V min</td> </tr> <tr> <td>Logic "1"</td> <td>10% Vdd max</td> <td>0.4V min</td> </tr> <tr> <td>Load</td> <td>15pF</td> <td>10TTL</td> </tr> <tr> <td>Duty Cycle</td> <td>40/60</td> <td>40/60</td> </tr> <tr> <td>Rise & Fall</td> <td>10nS max</td> <td>10nS max</td> </tr> </tbody> </table>		HCMOS	TTL	Logic "1"	90% Vdd min	2.4V min	Logic "1"	10% Vdd max	0.4V min	Load	15pF	10TTL	Duty Cycle	40/60	40/60	Rise & Fall	10nS max	10nS max
	HCMOS	TTL																	
Logic "1"	90% Vdd min	2.4V min																	
Logic "1"	10% Vdd max	0.4V min																	
Load	15pF	10TTL																	
Duty Cycle	40/60	40/60																	
Rise & Fall	10nS max	10nS max																	



Pull Characteristics	
Pulling Range	±50ppm min
Control Range	1.65V ± 1.5V
Linearity	10% max.
E/D function	PIN2 : 0.7Vdd min. or open , output Enabled PIN2 : 0.3Vdd max. , output Disabled
RMS Jitter(12KHz~20MHz)	1.0ps max.



ENVIROMENTAL & MECHANICAL SPECIFICATION

Shock	MIL-STD-883C, Method 2002, Condition B
Vibration	MIL-STD-883C, Method 2007, Condition A
Solderability	MIL-STD-883C, Method 2003
Seal integrity	MIL-STD-883C, Method 1014, Condition C & A2
Marking	MIL-STD-202F, Method 215

TABLE1

Symbol	Stability
25	± 25ppm
30	± 30ppm
50	± 50ppm
XX	±XXppm

TABLE2

Symbol	Temp.	Symbol	Temp.
0	0°C	A	50°C
1	-10°C	B	60°C
2	-20°C	C	70°C
3	-30°C	D	75°C
4	-40°C	E	80°C
		F	85°C