

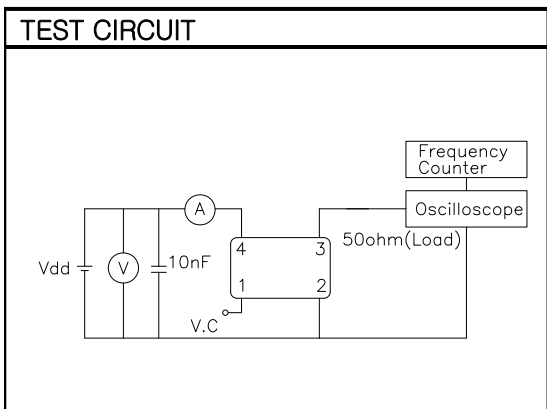
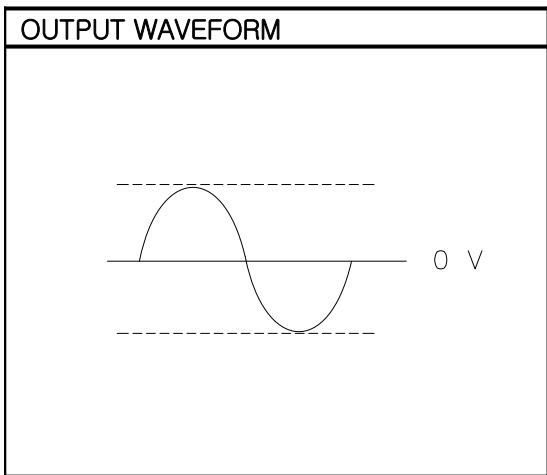
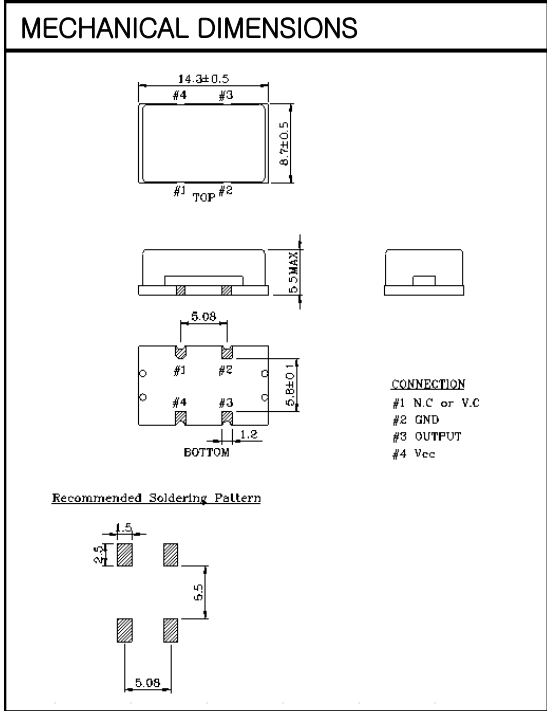
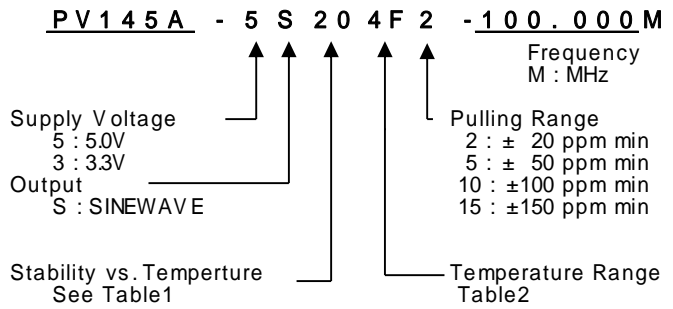
# VCXO

## PV145A Series

### Sinewave

### 4PAD SMD PACKAGE

#### \* PART NUMBERING GUIDE



#### ELECTRICAL SPECIFICATION

Frequency range	1.000MHz to 200.000MHz		
Frequency Stability vs. Temperature vs. Aging	± 10 ppm to ±50ppm ±2.0 ppm max/ year		
Temperature Range Operating Storage	See Table 2 / Wide operating temp. range available -55°C to 125°C		
Supply Voltage	3.3V ± 5% 5.0V ± 5%		
Input Current	fo ≤ 25.000MHz	3.3V(max) 10mA	5.0V(max) 15mA
	fo ≤ 50.000MHz	25mA	30mA
	fo ≤ 80.000MHz	30mA	50mA
	fo ≤ 125.000MHz	35mA	60mA
	fo ≤ 200.000MHz	40mA	70mA
Output characteristics ( Load: 50Ω)	Supply Voltage 3.3V	Output Level 0 dBm min.	
	5.0V	+5 dBm typ	
Pull Characteristics			
Pulling Range	±20ppm /±50ppm /±100 /±150 ppm min 1.65V ± 1.5V ( Vdd : 3.3V )		
Control Range	2.5V ± 2.0V/2.5V ( Vdd : 5.0V )		
Negative slope available : Contact factory Wide pulling range(±300ppm/±500ppm) available : contact factory			

#### ENVIROMENTAL & MECHANICAL SPECIFICATION

Shock	MIL-STD-883C, Method 2002, Condition B
Vibration	MIL-STD-883C, Method 2007, Condition A
Solderability	MIL-STD-883C, Method 2003
Seal integrity	MIL-STD-883C, Method 1014, Condition C & A2
Marking	MIL-STD-202F, Method 215

#### TABLE1

Symbol	Stability
10	± 10ppm
15	± 15ppm
20	± 20ppm
30	± 30ppm
50	± 50ppm

#### TABLE2

Symbol	Temp.	Symbol	Temp.
0	0°C	A	50°C
1	-10°C	B	60°C
2	-20°C	C	70°C
3	-30°C	D	75°C
4	-40°C	E	80°C
5	-50°C	F	85°C
6	-55°C	G	105°C
		H	125°C