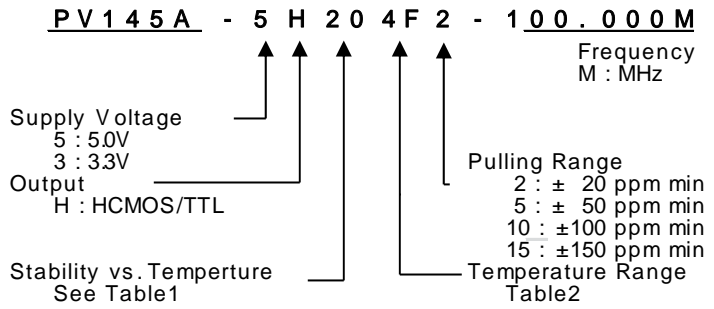


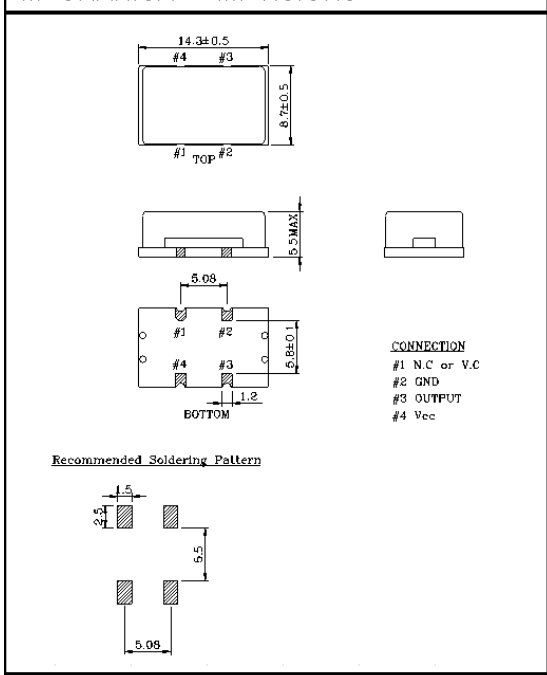
VCXO

PV145A Series
HCMOS/TTL
4PAD SMD PACKAGE

* PART NUMBERING GUIDE

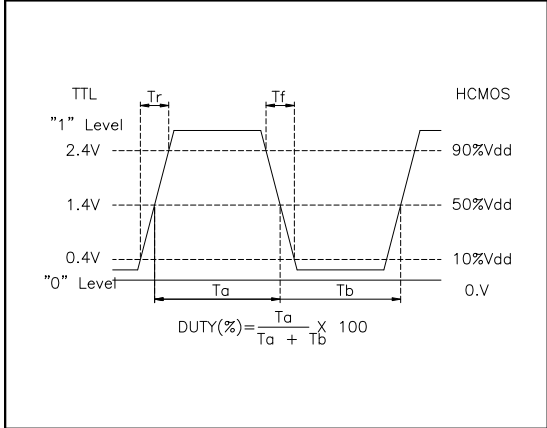


MECHANICAL DIMENSIONS ELECTRICAL SPECIFICATION



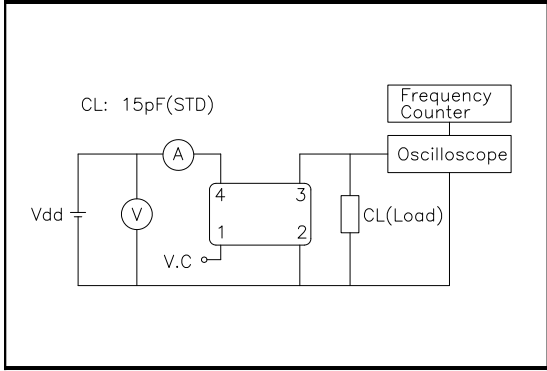
Frequency range	1.000MHz to 200.000MHz																		
Frequency Stability vs. Temperature vs. Aging	± 10 ppm to ±50ppm ±2.0 ppm max/ year																		
Temperature Range Operating Storage	See Table 2/ Wide operating temp. range available -55°C to 125°C																		
Supply Voltage	3.3V ± 5% 5.0V ± 5%																		
Input Current	1.000MHz ~ 40.000MHz ~ 200.000MHz 5mA max ~ 30mA max ~ 50A max																		
Output characteristics HCMOS / TTL	<table border="1"> <thead> <tr> <th></th> <th>HCMOS</th> <th>TTL</th> </tr> </thead> <tbody> <tr> <td>Logic "1"</td> <td>90% Vdd min</td> <td>2.4V min</td> </tr> <tr> <td>Logic "1"</td> <td>10% Vdd max</td> <td>0.4V max</td> </tr> <tr> <td>Load</td> <td>15pF</td> <td>10TTL</td> </tr> <tr> <td>Duty Cycle</td> <td>40/60</td> <td>40/60</td> </tr> <tr> <td>Rise & Fall</td> <td>10nS max</td> <td>10nS max</td> </tr> </tbody> </table>		HCMOS	TTL	Logic "1"	90% Vdd min	2.4V min	Logic "1"	10% Vdd max	0.4V max	Load	15pF	10TTL	Duty Cycle	40/60	40/60	Rise & Fall	10nS max	10nS max
	HCMOS	TTL																	
Logic "1"	90% Vdd min	2.4V min																	
Logic "1"	10% Vdd max	0.4V max																	
Load	15pF	10TTL																	
Duty Cycle	40/60	40/60																	
Rise & Fall	10nS max	10nS max																	

OUTPUT WAVEFORM



Pull Characteristics	
Pulling Range	±20ppm / ±50ppm / ±100 / ±150 ppm min
Control Range	1.65V ± 1.5V (Vdd : 3.3V) 2.5V ± 2.0V/2.5V (Vdd : 5.0V)
Negative slope available : Contact factory Wide pulling range(±300ppm/±500ppm) available : contact factory	

TEST CIRCUIT



ENVIROMENTAL & MECHANICAL SPECIFICATION

Shock	MIL-STD-883C, Method 2002, Condition B
Vibration	MIL-STD-883C, Method 2007, Condition A
Solderability	MIL-STD-883C, Method 2003
Seal integrity	MIL-STD-883C, Method 1014, Condition C & A2
Marking	MIL-STD-202F, Method 215

Symbol	Stability
10	± 10ppm
15	± 15ppm
20	± 20ppm
30	± 30ppm
50	± 50ppm

Symbol	Temp.	Symbol	Temp.
0	0°C	A	50°C
1	-10°C	B	60°C
2	-20°C	C	70°C
3	-30°C	D	75°C
4	-40°C	E	80°C
5	-50°C	F	85°C
6	-55°C	G	105°C
		H	125°C