

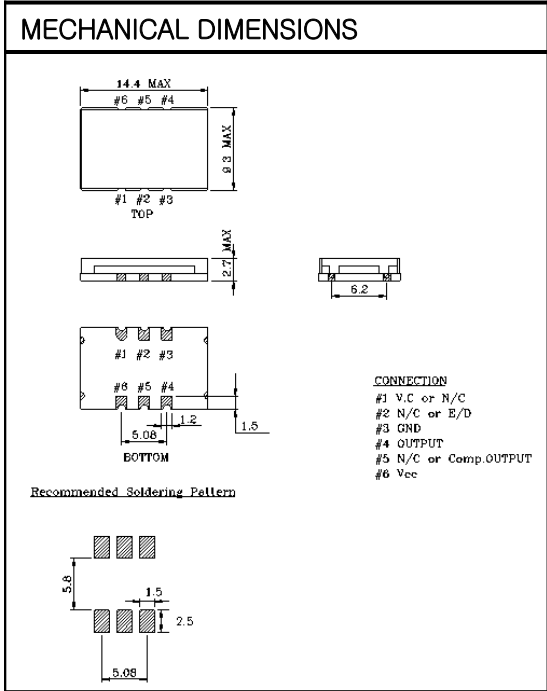
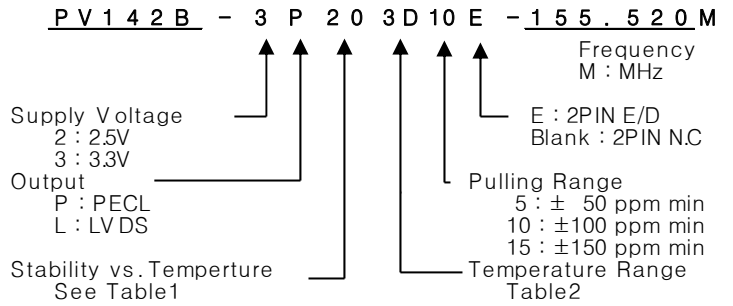
# VCXO

## PV142B Series

### PECL/LVDS

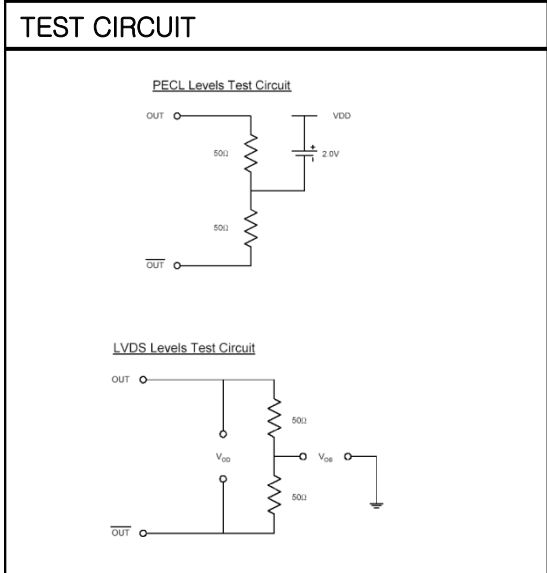
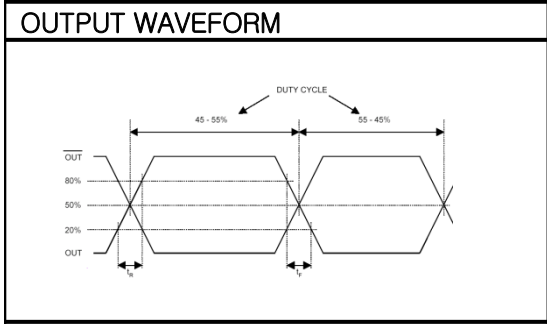
### 6PAD SMD PACKAGE

#### \* PART NUMBERING GUIDE



#### ELECTRICAL SPECIFICATION

Frequency range	8.000MHz to 1500MHz		
Frequency Stability vs. Temperature vs. Aging	± 10 ppm to ±50ppm ± 2.0 ppm max/ year		
Temperature Range Operating Storage	See Table 2 -55°C to 105°C		
Supply Voltage	3.3V ± 5% 2.5V ± 5%		
Input Current	8.000MHz ~ 1500MHz 60mA max ~ 120mA max		
Output characteristics (Load pecl:50Ω lvds:100Ω)	pecl	lvds	
Voh Logic "1"	Vdd-1.025v min.	1.43v typ.	
Vol Logic "0"	Vdd-1.620v max.	1.10v typ.	
Rise Time Tr	1.0 nsec max.	1.0 nsec max.	
Fall Time Tf	1.0 nsec max.	1.0 nsec max.	
Duty Cycle	50//50 ± 5%	50//50 ± 5%	
Differential Output Vod(Lvds)	330mV typ.		
Offset Voltage Vos(Lvds)	1.2V typ		
<b>Pull Characteristics</b>			
Pulling Range	±50ppm / ±100 / ±150 ppm min Wide pulling range : contact company		
Control Range	1.65V ± 1.5V ( Vdd : 3.3V ) 1.25V ± 1.25V ( Vdd : 2.5V )		
PHASE JITTER (RMS)	0.1psec MAX (12KHz ~ 20MHz) 1.0psec MAX (12KHz ~ 20MHz)		



#### ENVIROMENTAL & MECHANICAL SPECIFICATION

Shock	MIL-STD-883C, Method 2002, Condition B
Vibration	MIL-STD-883C, Method 2007, Condition A
Solderability	MIL-STD-883C, Method 2003
Seal integrity	MIL-STD-883C, Method 1014, Condition C & A2
Marking	MIL-STD-202F, Method 215

#### TABLE1

Symbol	Stability
10	± 10ppm
15	± 15ppm
20	± 20ppm
30	± 30ppm
50	± 50ppm

#### TABLE2

Symbol	Temp.	Symbol	Temp.
0	0°C	A	50°C
1	-10°C	B	60°C
2	-20°C	C	70°C
3	-30°C	D	75°C
4	-40°C	E	80°C
		F	85°C
		G	95°C