

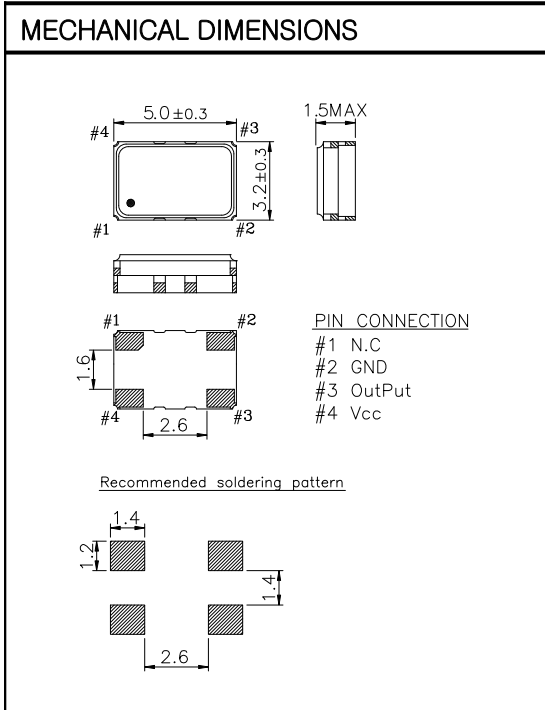
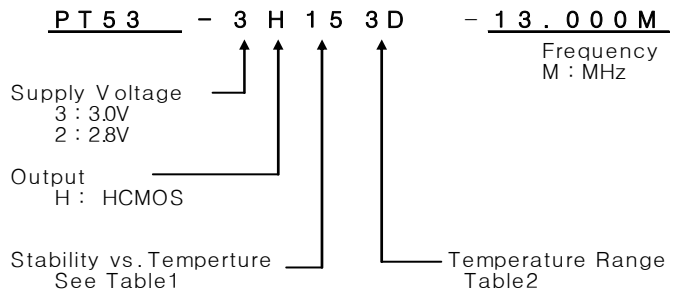
TCXO

PT53 Series

HCMOS

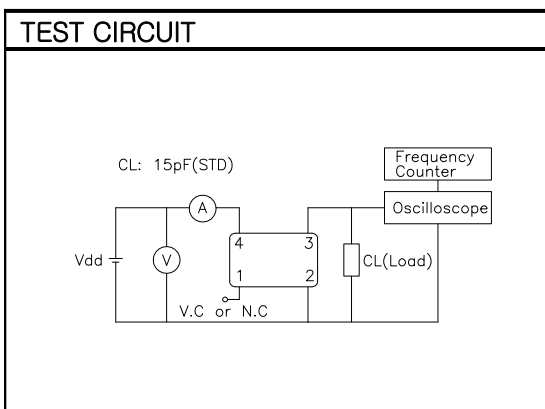
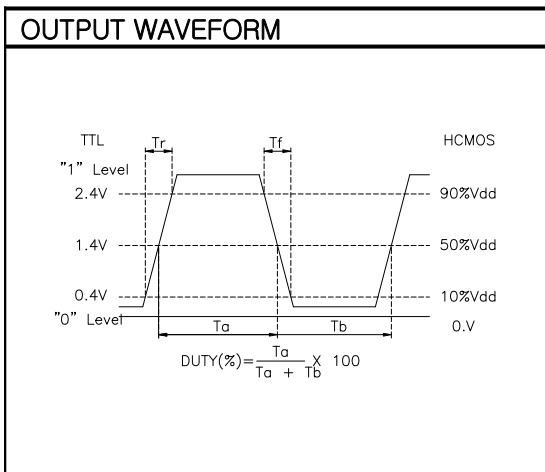
4PAD SMD PACKAGE

* PART NUMBERING GUIDE



ELECTRICAL SPECIFICATION

Frequency range	10.000MHz to 40.000MHz
Frequency tolerance	±1.0 ppm at 25deg
Frequency Stability vs. Temperature	±1.0 ppm to ±5.0ppm
vs. Supply Voltage	±0.3 ppm max / Vdd ± 5%
vs. Load	±0.3 ppm max / 15pF ±10%
vs. Aging	±1.0 ppm max/ year
Temperature Range Operating	See Table 2
Storage	-55°C to 125°C
Supply Voltage	2.8V ~3.3V (± 5%)
Input Current	10.000MHz to 40.000MHz 6.0mA ~ 25mA max.
Output characteristics	Level 3.0V 0.9Vdd
Clipped sinewave	Load 15pF
Phase Noise (typical) 20MHz offset	-80 dBc / Hz @ 10Hz -110 dBc / Hz @ 100Hz -135 dBc / Hz @ 1KHz -140 dBc / Hz @ 10KHz -145 dBc / Hz @100KHz



ENVIROMENTAL & MECHANICAL SPECIFICATION

Shock	MIL-STD-883C, Method 2002, Condition B
Vibration	MIL-STD-883C, Method 2007, Condition A
Solderability	MIL-STD-883C, Method 2003
Seal integrity	MIL-STD-883C, Method 1014, Condition C & A2
Marking	MIL-STD-202F, Method 215

TABLE1

Symbol	Stability
10	±1.0ppm
15	±1.5ppm
20	±2.0ppm
25	±2.5ppm
30	±3.0ppm
35	±3.5ppm
50	±5.0ppm

TABLE2

Symbol	Temp.	Symbol	Temp.
0	0°C	A	50°C
1	-10°C	B	60°C
2	-20°C	C	70°C
3	-30°C	D	75°C
4	-40°C	E	80°C
		F	85°C