

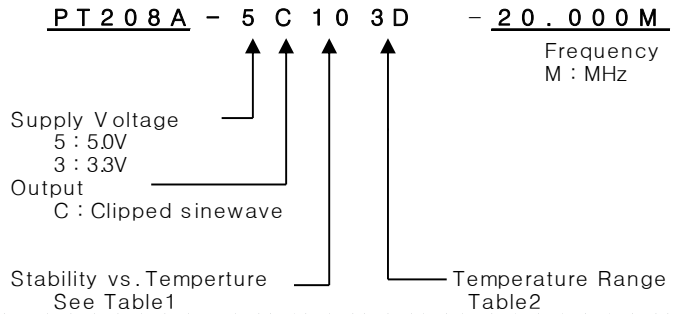
TCXO

PT208A Series

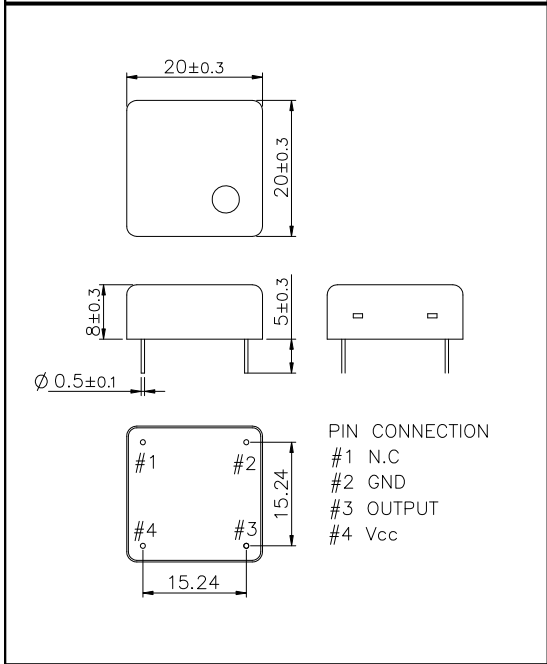
Clipped sinewave

4PIN DIP PACKAGE

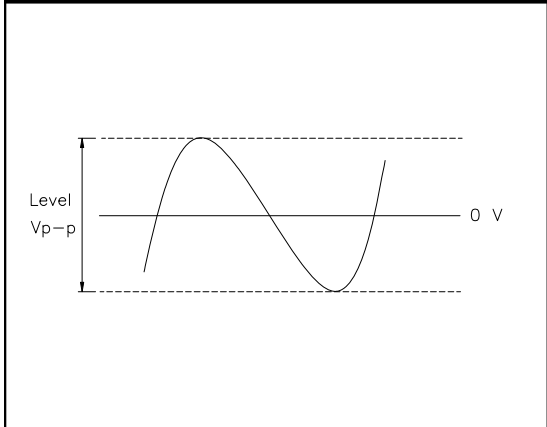
* PART NUMBERING GUIDE



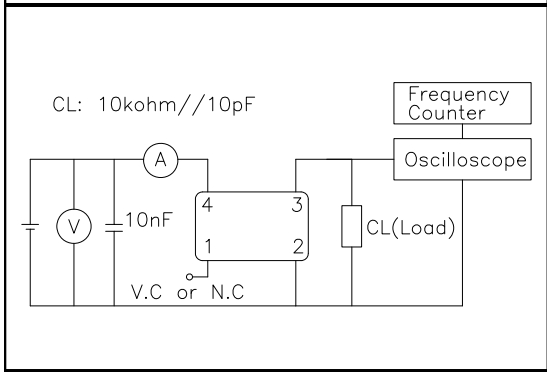
MECHANICAL DIMENSIONS



OUTPUT WAVEFORM



TEST CIRCUIT



ELECTRICAL SPECIFICATION

| | |
|---|--|
| Frequency range | 6.00MHz to 190.000MHz (All combinations for Frequency in the range and temp. stability can't be available, please contact factory.) |
| Frequency Stability vs. Temperature vs. Supply Voltage vs. Load vs. Aging | ±0.5 ppm to ±5.0ppm ±0.1 / ±0.2 ppm max / Vdd ± 5% ±0.2 ppm max / 15pF ±10% ±1.0 ppm max/ year |
| Temperature Range Operating Storage | See Table 2 -55°C to 125°C |
| Supply Voltage | 3.3V ± 5% 5.0V ± 5% |
| Input Current Clipped sinewave | 6.00MHz ~ 190.000MHz 2.0mA max ~ 30mA max |
| Output characteristics | Clipped sinewave Level 3.3V 0.8Vp-p min 5.0V 1.0Vp-p min Load 10kΩ//10pF |
| Phase Noise (typical) @20MHz | -80 dBc / Hz @ 10Hz -120 dBc / Hz @ 100Hz -135 dBc / Hz @ 1KHz -140 dBc / Hz @ 10KHz -145 dBc / Hz @100KHz |
| Frequency Adjustment | ±3ppm min by internal trimmer |

ENVIROMENTAL & MECHANICAL SPECIFICATION

| | |
|----------------|---|
| Shock | MIL-STD-883C, Method 2002, Condition B |
| Vibration | MIL-STD-883C, Method 2007, Condition A |
| Solderability | MIL-STD-883C, Method 2003 |
| Seal integrity | MIL-STD-883C, Method 1014, Condition C & A2 |
| Marking | MIL-STD-202F, Method 215 |

TABLE1

| Symbol | Stability |
|--------|-----------|
| 05 | ±0.5ppm |
| 10 | ±1.0ppm |
| 15 | ±1.5ppm |
| 20 | ±2.0ppm |
| 25 | ±2.5ppm |
| 30 | ±3.0ppm |
| 35 | ±3.5ppm |
| 50 | ±5.0ppm |

TABLE2

| Symbol | Temp. | Symbol | Temp. |
|--------|-------|--------|-------|
| 0 | 0°C | A | 50°C |
| 1 | -10°C | B | 60°C |
| 2 | -20°C | C | 70°C |
| 3 | -30°C | D | 75°C |
| 4 | -40°C | E | 80°C |
| | | F | 85°C |