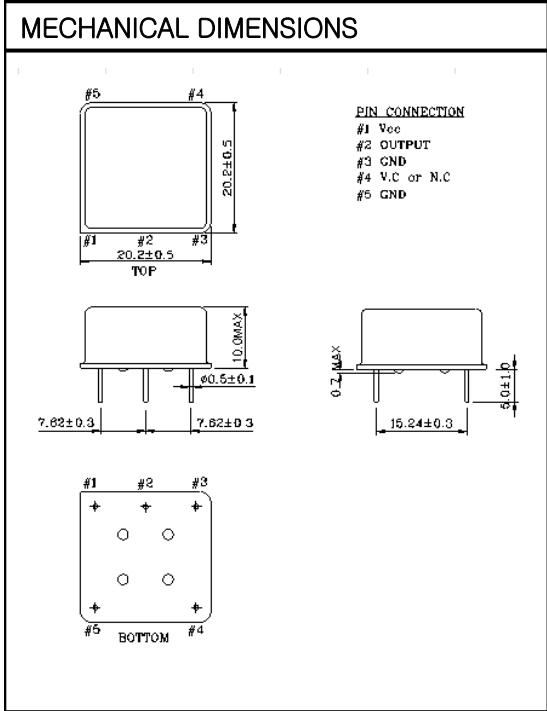
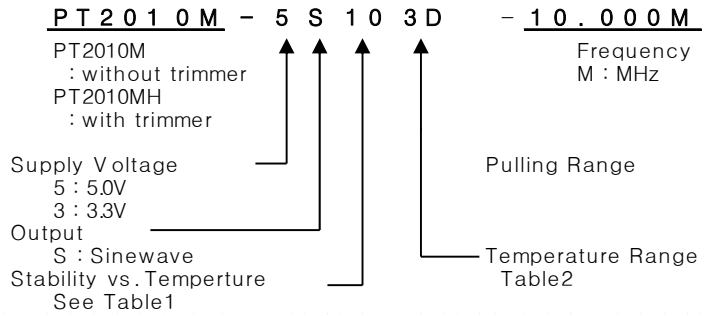


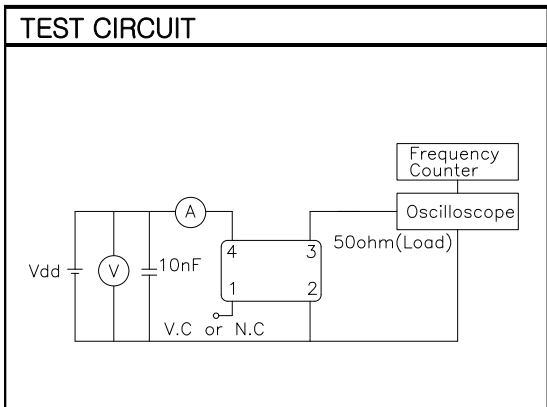
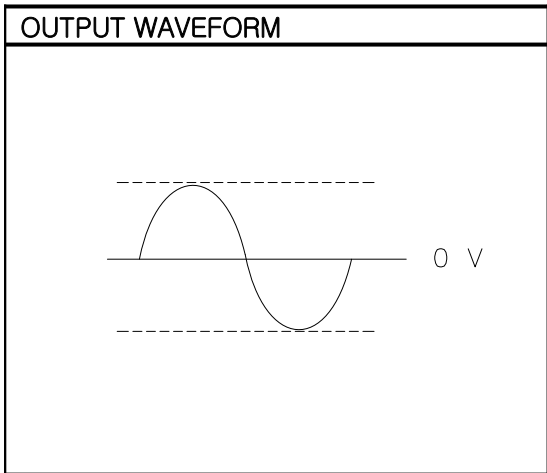
TCXO
PT2010M Series
Sinewave
5Pins DIP package
Hermetic package

*** PART NUMBERING GUIDE**



ELECTRICAL SPECIFICATION

Frequency range	1.000MHz to 600.000MHz (All combinations for Frequency in the range and temp. stability can't be available, please contact factory.)
Frequency Stability vs. Temperature vs. Supply Voltage vs. Load vs. Aging	±0.5 ppm to ±5.0ppm ±0.1 / ±0.2 ppm max / Vdd ± 5% ±0.2 ppm max /15pF ±10% ±1.0 ppm max/ year
Temperature Range Operating Storage	See Table 2 -55°C to 125°C
Supply Voltage	3.3V ± 5% 5.0V ± 5%
Input Current Sinewave	1.00MHz ~ 600.000MHz 10.0mA max ~ 50mA max
Output characteristics	Level 3.3V 5.0V Load 50Ω Sinewave 0 dBm typ +5 dBm typ
Phase Noise (typical) @20MHz	-80 dBc / Hz @ 10Hz -120 dBc / Hz @ 100Hz -135 dBc / Hz @ 1KHz -140 dBc / Hz @ 10KHz -145 dBc / Hz @100KHz
Frequency Adjustment	±3ppm min by internal trimmer (OPTION) PT2010MH available



ENVIROMENTAL & MECHANICAL SPECIFICATION

Shock	MIL-STD-883C, Method 2002, Condition B
Vibration	MIL-STD-883C, Method 2007, Condition A
Solderability	MIL-STD-883C, Method 2003
Seal integrity	MIL-STD-883C, Method 1014, Condition C & A2
Marking	MIL-STD-202F, Method 215

TABLE1

Symbol	Stability
05	±0.5ppm
10	±1.0ppm
15	±1.5ppm
20	±2.0ppm
25	±2.5ppm
30	±3.0ppm
35	±3.5ppm
50	±5.0ppm

TABLE2

Symbol	Temp.	Symbol	Temp.
0	0°C	A	50°C
1	-10°C	B	60°C
2	-20°C	C	70°C
3	-30°C	D	75°C
4	-40°C	E	80°C
		F	85°C