

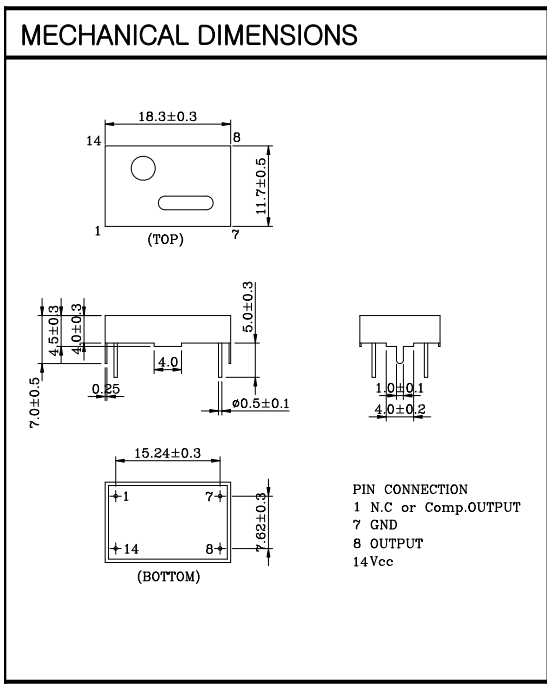
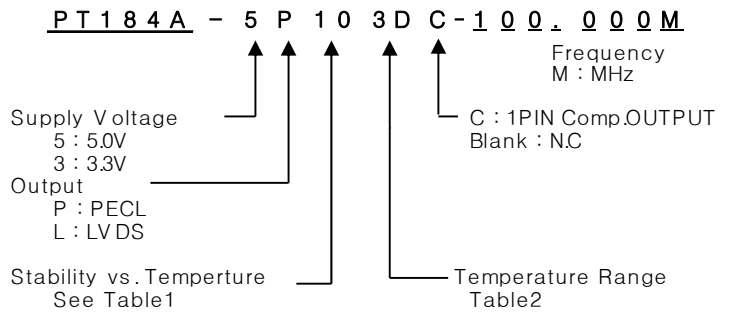
TCXO

PT184A Series

PECL/LVDS

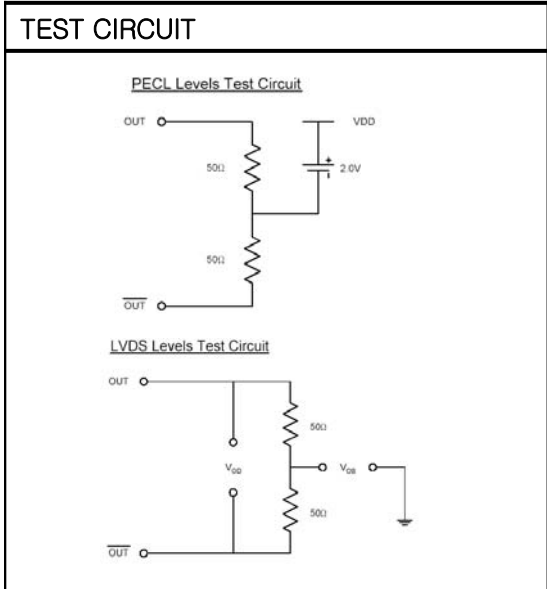
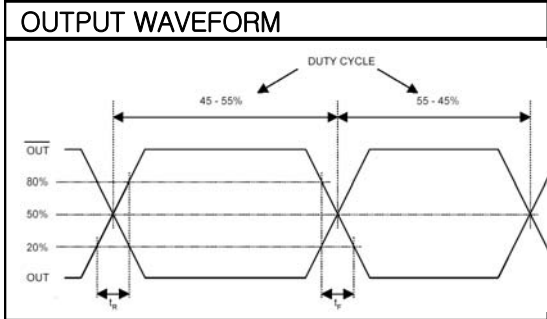
14PIN DIP PACKAGE

* PART NUMBERING GUIDE



ELECTRICAL SPECIFICATION

Frequency range	8.0MHz to 1500.000MHz (All combinations for Frequency in the range and temp. stability can't be available, please contact factory.)	
Frequency Stability vs. Temperature vs. Supply Voltage vs. Load vs. Aging	±0.5 ppm to ±5.0ppm ±0.1 / ±0.2 ppm max / Vdd ± 5% ±0.2 ppm max / 15pF ±10% ±1.0 ppm max/ year	
Temperature Range Operating Storage	See Table 2 -55°C to 125°C	
Supply Voltage	3.3V ± 5% 5.0V ± 5%	
Input Current 3.3 V , 5V	8.0MHz ~ 1500.000MHz 60mA max ~ 100mA max	
Output characteristics	pecl	lvds
Voh Logic "1"	Vdd-1.025v min.	1.43v typ.
Vol Logic "0"	Vdd-1.620v max.	1.10v typ.
Rise Time Tr	1.0 nsec max.	1.0 nsec max.
Fall Time Tf	1.0 nsec min.	1.0 nsec min.
Duty Cycle	50//50 ± 5%	50//50 ± 5%
Differential Output	Vod(Lvds)	330mV typ.
Offset Voltage	Vos(Lvds)	1.2V typ.
Phase Noise (typical) @100MHz	-80 dBc / Hz @ 10Hz -120 dBc / Hz @ 100Hz -135 dBc / Hz @ 1KHz -140 dBc / Hz @ 10KHz -145 dBc / Hz @100KHz	
Frequency Adjustment	±3ppm min by internal trimmer	



ENVIROMENTAL & MECHANICAL SPECIFICATION

Shock	MIL-STD-883C, Method 2002, Condition B
Vibration	MIL-STD-883C, Method 2007, Condition A
Solderability	MIL-STD-883C, Method 2003
Seal integrity	MIL-STD-883C, Method 1014, Condition C & A2
Marking	MIL-STD-202F, Method 215

TABLE1		TABLE2	
Symbol	Stability	Symbol	Temp.
05	±0.5ppm	0	0°C
10	±1.0ppm	A	50°C
15	±1.5ppm	1	-10°C
20	±2.0ppm	2	-20°C
25	±2.5ppm	3	-30°C
30	±3.0ppm	4	-40°C
35	±3.5ppm		
50	±5.0ppm	F	85°C