

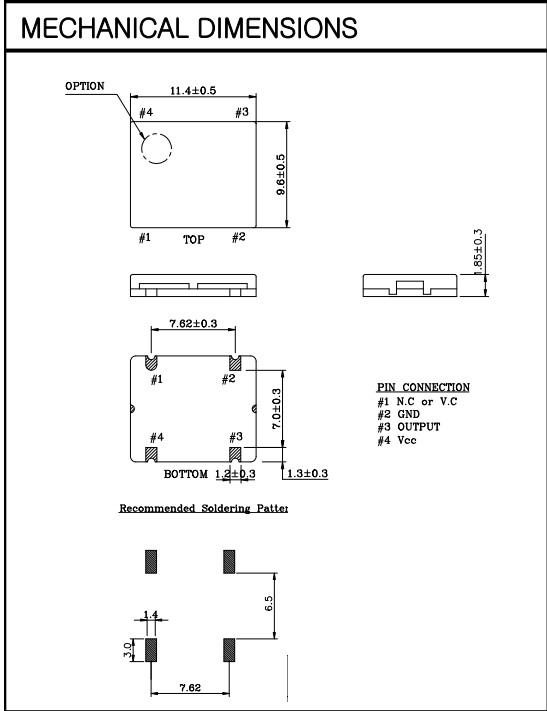
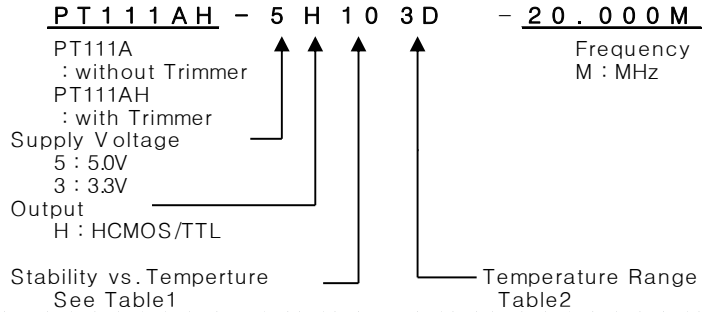
TCXO

PT111A Series

HCMOS/TTL

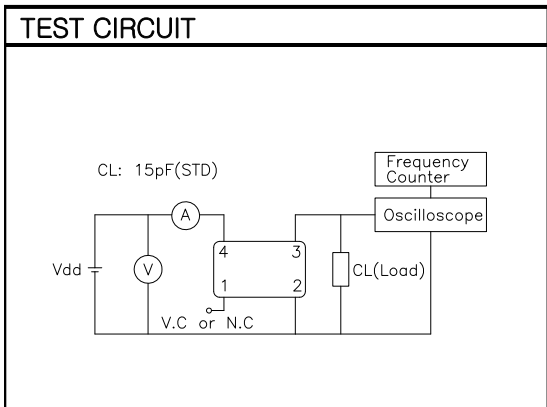
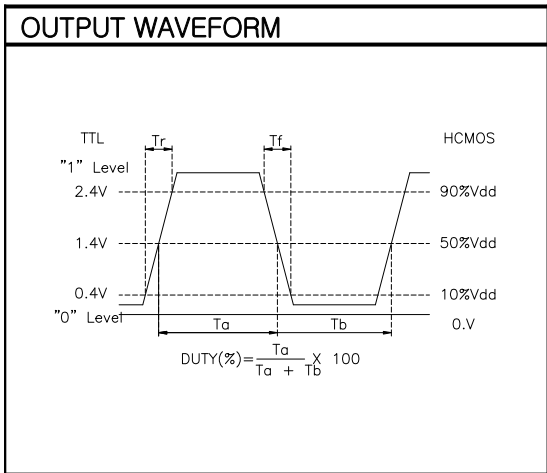
4PAD SMD PACKAGE

* PART NUMBERING GUIDE



ELECTRICAL SPECIFICATION

| | | |
|---|---|----------------------|
| Frequency range | 1.000KHz to 250.000MHz (All combinations for Frequency in the range and temp. stability can't be available, please contact factory.) | |
| Frequency Stability vs. Temperature vs. Supply Voltage vs. Load vs. Aging | ±1.0 ppm to ±5.0ppm ±0.2 ppm max / Vdd ± 5% ±0.2 ppm max / 15pF ±10% ±1.0 ppm max/ year | |
| Temperature Range Operating Storage | See Table 2 -55°C to 125°C | |
| Supply Voltage | 3.3V ± 5% 5.0V ± 5% | |
| Input Current 3.3 V , 5V | 1.000KHz ~ 15mA max | 40.000MHz ~ 30mA max |
| Output characteristics | HCMOS | TTL |
| Logic "1" | 90% Vdd min | 2.4V min |
| Logic "1" | 10% Vdd max | 0.4V min |
| Load | 15pF | 10TTL |
| Duty Cycle | 40/60 | 40/60 |
| Rise & Fall | 10nS max | 10nS max |
| Phase Noise (typical) 20MHz offset | -80 dBc / Hz @ 10Hz -120 dBc / Hz @ 100Hz -135 dBc / Hz @ 1KHz -140 dBc / Hz @ 10KHz -145 dBc / Hz @100KHz | |
| Frequency Adjustment | ±3ppm min by internal trimmer (Option/PT111AH only) | |



ENVIROMENTAL & MECHANICAL SPECIFICATION

| | |
|----------------|---|
| Shock | MIL-STD-883C, Method 2002, Condition B |
| Vibration | MIL-STD-883C, Method 2007, Condition A |
| Solderability | MIL-STD-883C, Method 2003 |
| Seal integrity | MIL-STD-883C, Method 1014, Condition C & A2 |
| Marking | MIL-STD-202F, Method 215 |

TABLE1

| Symbol | Stability |
|--------|-----------|
| 05 | ±0.5ppm |
| 10 | ±1.0ppm |
| 15 | ±1.5ppm |
| 20 | ±2.0ppm |
| 25 | ±2.5ppm |
| 30 | ±3.0ppm |
| 35 | ±3.5ppm |
| 50 | ±5.0ppm |

TABLE2

| Symbol | Temp. | Symbol | Temp. |
|--------|-------|--------|-------|
| 0 | 0°C | A | 50°C |
| 1 | -10°C | B | 60°C |
| 2 | -20°C | C | 70°C |
| 3 | -30°C | D | 75°C |
| 4 | -40°C | E | 80°C |
| | | F | 85°C |