

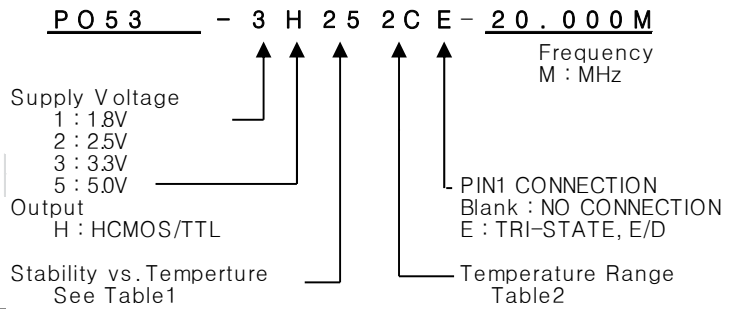
OSC

PO53 Series

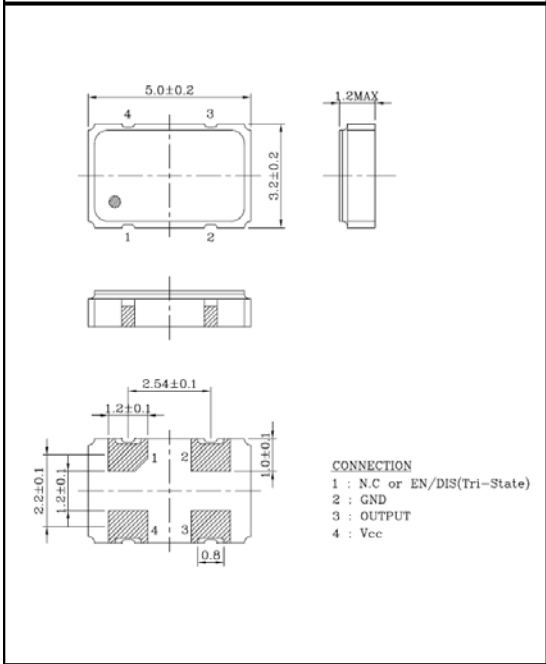
HCMOS/TTL

4PAD SMD PACKAGE

* PART NUMBERING GUIDE



MECHANICAL DIMENSIONS



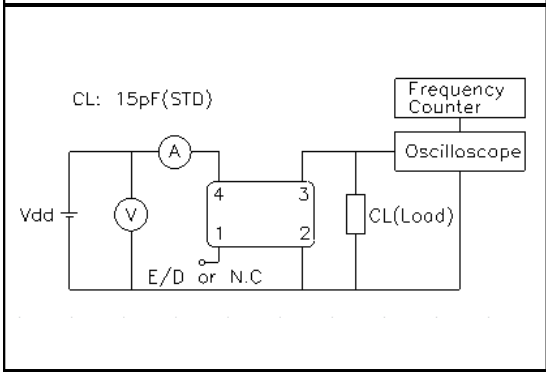
ELECTRICAL SPECIFICATION

Frequency range	32.768KHz to 133.000MHz All combination of Frequency range Vs. Package type can not be available ,please contact factory	
Frequency Stability vs. Temperature vs. Aging	±20 ppm to ±100ppm ±3.0 ppm max/ year	
Temperature Range Operating	See Table 2 (Wider operating temp. range available. Please contact)	
Storage	-55°C to 125°C	
Supply Voltage	1.8V/ 2.5V/ 3.3V / 5.0V ± 10%	
Input Current 3.3 V , 5V	fo ≤ 32.768KHz fo ≤ 35.000MHz fo ≤ 54.000MHz fo ≤ 70.000MHz fo ≤ 133.000MHz	1.8~3.3V 0.5mA 8mA 16mA 25mA 45mA
Output characteristics HCMOS / TTL	HCMOS Logic "1" Logic "1" Load Duty Cycle Rise & Fall	TTL 90% Vdd min 10% Vdd max 15pF 40/60 10nS max
Pin 1 Tri-State Input Voltage	No Connection Vh ≥ 0.7 Vdc Vi ≤ 0.3 Vdc	Enable Output Enable Output Disable Output
Phase Jitter (12KHz~20MHz)	1.0ps RMS max.	

OUTPUT WAVEFORM



TEST CIRCUIT



ENVIRONMENTAL & MECHANICAL SPECIFICATION

Shock	MIL-STD-883C, Method 2002, Condition B
Vibration	MIL-STD-883C, Method 2007, Condition A
Solderability	MIL-STD-883C, Method 2003
Seal integrity	MIL-STD-883C, Method 1014, Condition C & A2
Marking	MIL-STD-202F, Method 215

TABLE1

Symbol	Stability
20	± 20ppm
30	± 30ppm
50	± 50ppm
100	±100ppm

TABLE2

Symbol	Temp.	Symbol	Temp.
0	0°C	A	50°C
1	-10°C	B	60°C
2	-20°C	C	70°C
3	-30°C	D	75°C
4	-40°C	E	80°C
		F	85°C