

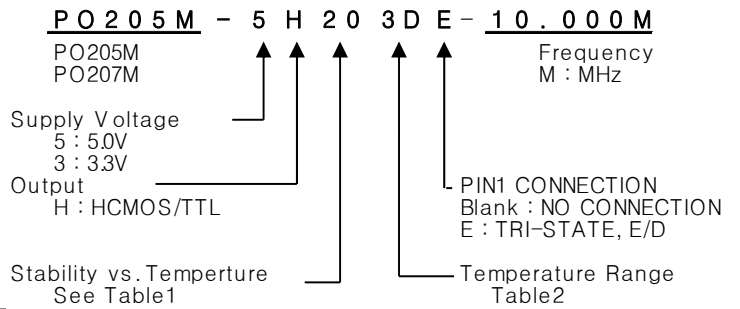
# OSC

## PO205M/PO207M Series

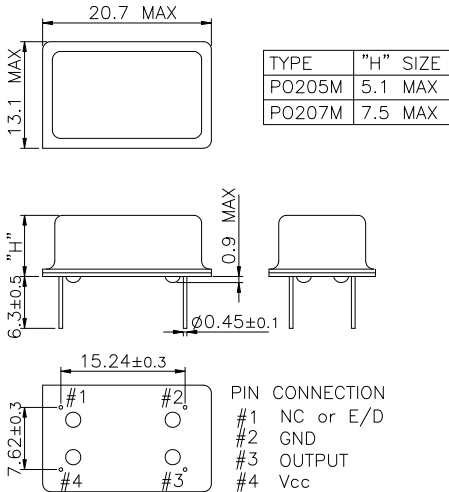
### HCMOS/TTL

### 14PIN DIP PACKAGE

#### \* PART NUMBERING GUIDE



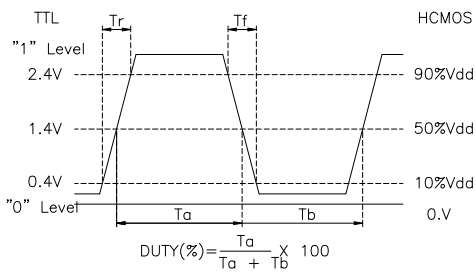
#### MECHANICAL DIMENSIONS



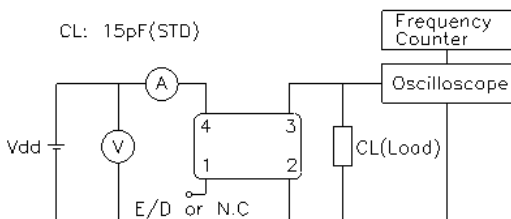
#### ELECTRICAL SPECIFICATION

Frequency range	1.000KHz to 200.000MHz All combination of Frequency range Vs. Package type can not be available ,please contact factory																		
Frequency Stability vs. Temperature vs. Aging	±10 ppm to ±100ppm ±3.0 ppm max/ year																		
Temperature Range Operating Storage	See Table 2 -55°C to 105°C																		
Supply Voltage	3.3V ± 5% 5.0V ± 5%																		
Input Current 3.3 V , 5V	1.000KHz ~ 40.000MHz ~ 200.000MHz 15mA max ~ 30mA max ~ 60mA max																		
Output characteristics HCMOS / TTL	<table border="1"> <thead> <tr> <th></th> <th>HCMOS</th> <th>TTL</th> </tr> </thead> <tbody> <tr> <td>Logic "1"</td> <td>90% Vdd min</td> <td>2.4V min</td> </tr> <tr> <td>Logic "1"</td> <td>10% Vdd max</td> <td>0.4V min</td> </tr> <tr> <td>Load</td> <td>15pF</td> <td>10TTL</td> </tr> <tr> <td>Duty Cycle</td> <td>40/60</td> <td>40/60</td> </tr> <tr> <td>Rise &amp; Fall</td> <td>10nS max</td> <td>10nS max</td> </tr> </tbody> </table>		HCMOS	TTL	Logic "1"	90% Vdd min	2.4V min	Logic "1"	10% Vdd max	0.4V min	Load	15pF	10TTL	Duty Cycle	40/60	40/60	Rise & Fall	10nS max	10nS max
	HCMOS	TTL																	
Logic "1"	90% Vdd min	2.4V min																	
Logic "1"	10% Vdd max	0.4V min																	
Load	15pF	10TTL																	
Duty Cycle	40/60	40/60																	
Rise & Fall	10nS max	10nS max																	
Pin 1 Tri-State Input Voltage	<table border="1"> <thead> <tr> <th>Pin 1 Tri-State</th> <th>Enable Output</th> <th>Disable Output</th> </tr> </thead> <tbody> <tr> <td>No Connection</td> <td>Enable Output</td> <td>Disable Output</td> </tr> <tr> <td>Vh ≥ 2.0 Vdc</td> <td>Enable Output</td> <td>Disable Output</td> </tr> <tr> <td>Vi ≤ 0.8 Vdc</td> <td>Disable Output</td> <td>Disable Output</td> </tr> </tbody> </table>	Pin 1 Tri-State	Enable Output	Disable Output	No Connection	Enable Output	Disable Output	Vh ≥ 2.0 Vdc	Enable Output	Disable Output	Vi ≤ 0.8 Vdc	Disable Output	Disable Output						
Pin 1 Tri-State	Enable Output	Disable Output																	
No Connection	Enable Output	Disable Output																	
Vh ≥ 2.0 Vdc	Enable Output	Disable Output																	
Vi ≤ 0.8 Vdc	Disable Output	Disable Output																	
Phase Jitter (12KHz~20MHz)	1.0ps RMS max.																		

#### OUTPUT WAVEFORM



#### TEST CIRCUIT



#### ENVIROMENTAL & MECHANICAL SPECIFICATION

Shock	MIL-STD-883C, Method 2002, Condition B
Vibration	MIL-STD-883C, Method 2007, Condition A
Solderability	MIL-STD-883C, Method 2003
Seal integrity	MIL-STD-883C, Method 1014, Condition C & A2
Marking	MIL-STD-202F, Method 215

#### TABLE1

Symbol	Stability
10	± 10ppm
15	± 15ppm
20	± 20ppm
30	± 30ppm
50	± 50ppm
100	±100ppm

#### TABLE2

Symbol	Temp.	Symbol	Temp.
0	0°C	A	50°C
1	-10°C	B	60°C
2	-20°C	C	70°C
3	-30°C	D	75°C
4	-40°C	E	80°C
		F	85°C