

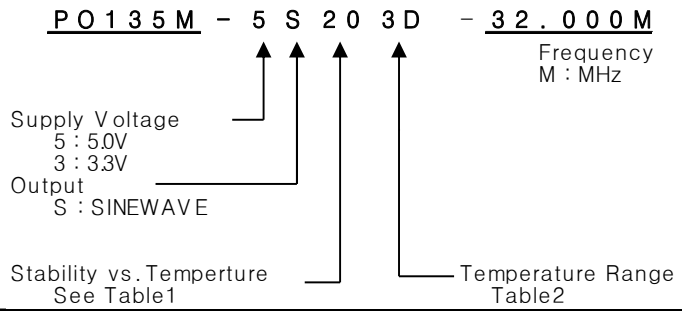
# OSC

## PO135M Series

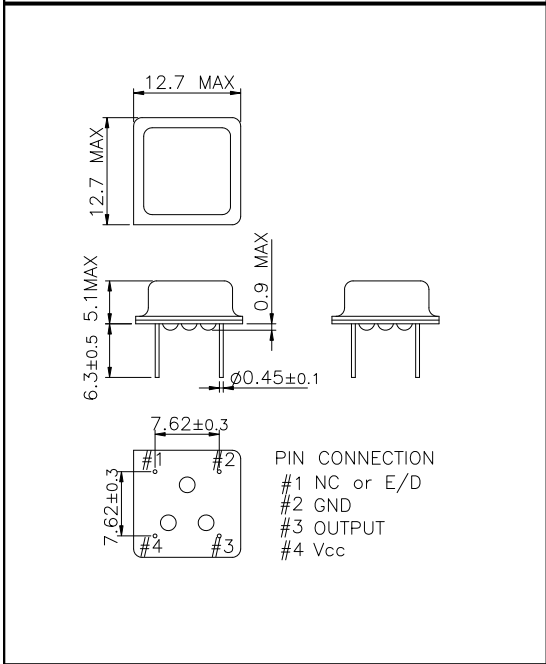
### Sinewave

### 8PIN DIP PACKAGE

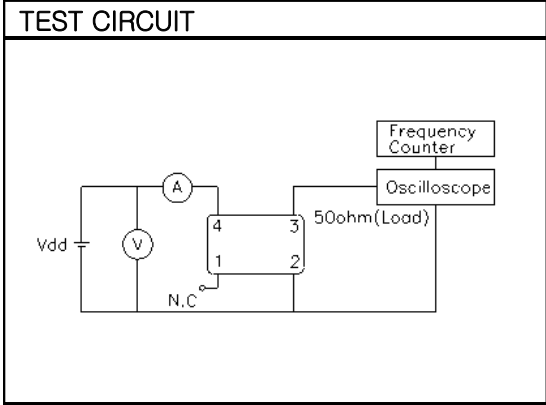
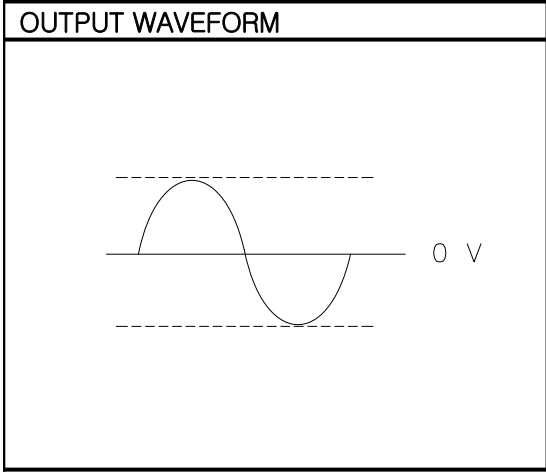
### \* PART NUMBERING GUIDE



MECHANICAL DIMENSIONS	ELECTRICAL SPECIFICATION
-----------------------	--------------------------



Frequency range	1.000MHz to 600.000MHz All combination of Frequency range Vs. Package type can not be available ,please contact factory
Frequency Stability vs. Temperature vs. Aging	±10 ppm to ±100ppm ±3.0 ppm max/ year
Temperature Range Operating Storage	See Table 2 -55°C to 105°C
Supply Voltage	3.3V ± 5% 5.0V ± 5%
Input Current	1.000MHz ~ 600.000MHz 15mA max, ~ 60mA max.
Output characteristics	Level 3.3V 0 dBm min 5.0V +5 dBm typ Load 50Ω
Phase Jitter (12KHz~20MHz)	1.0ps RMS max.



### ENVIROMENTAL & MECHANICAL SPECIFICATION

Shock	MIL-STD-883C, Method 2002, Condition B
Vibration	MIL-STD-883C, Method 2007, Condition A
Solderability	MIL-STD-883C, Method 2003
Seal integrity	MIL-STD-883C, Method 1014, Condition C & A2
Marking	MIL-STD-202F, Method 215

#### TABLE1

Symbol	Stability
10	± 10ppm
15	± 15ppm
20	± 20ppm
30	± 30ppm
50	± 50ppm
100	±100ppm

#### TABLE2

Symbol	Temp.	Symbol	Temp.
0	0°C	A	50°C
1	-10°C	B	60°C
2	-20°C	C	70°C
3	-30°C	D	75°C
4	-40°C	E	80°C
		F	85°C