

X-TAL

PXS7 : UM-1 Gullwing SMD PACKAGE

* PART NUMBERING GUIDE

P X S 7 - 2 0 M 0 0 0 - S 1 - F F B

S7 : UM-1 Gullwing
3.5mm tall

Frequency

See Table1

See Table2

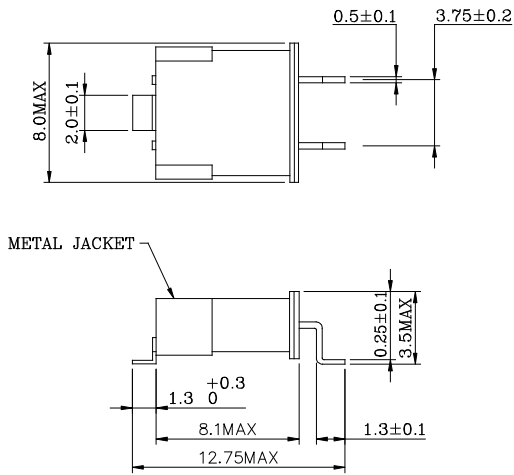
See Table3

See Table5

See Table4

See Table3

MECHANICAL DIMENSIONS



ELECTRICAL SPECIFICATION

Frequency Range	6.000MHz to 200.000MHz
Load Capacitance(CL)	See Table1 (Standard 18pF)
Oscillation Mode	See Table2
Frequency Tolerance at 25°C (RT)	±5.0ppm to ±50.0ppm See Table3 (Standard ±50.0ppm)
Frequency Stability over Operating temperature range(TC)	±3.0ppm to ±50.0ppm See Table4 (Standard ±50.0ppm)
Temperature Range Operating(TR) Storage	See Table 5 (Standard 0 to +70°C) Standard -40°C to 85°C
Drive Level(DL)	0.01mW to 1.0mW
Shunt Capacitance(C0)	7.0pF max
Aging	±3.0ppm per year max
Insulation Resistance(IR)	500MΩ min at 100Vdc

Frequency Range(MHz)	ESR(Ω max)	Mode
6.000~9.999	80	AT FUND
10.000~15.999	60	AT FUND
16.000~60.000	40	AT FUND
25.000~100.000	60	3rd O/T
80.000~155.000	80	5th O/T
120.000~200.000	120	7th O/T

Table1		Table2		Table3		Table4		Table5	
Load Capacitance		Oscillation Mode		Frequency Tolerance		Frequency Stability		Operating Temp. Range	
Symbol	CL(pF)	Symbol	Mode	Symbol	RT(ppm)	Symbol	TC(ppm)	Symbol	TR(°C)
S	Series	1	AT-FUND	A	±5	A	±3	A	0~+50
XX	XX pF	2	3rd O/T	B	±10	B	±5	B	0~+70
		3	5th O/T	C	±15	C	±10	C	-10~+60
		4	7th O/T	D	±20	D	±15	D	-20~+70
				E	±30	E	±20	E	-30~+80
				F	±50	F	±30	F	-40~+85
				XX	±XX	G	±50		
						XX	±XX		