

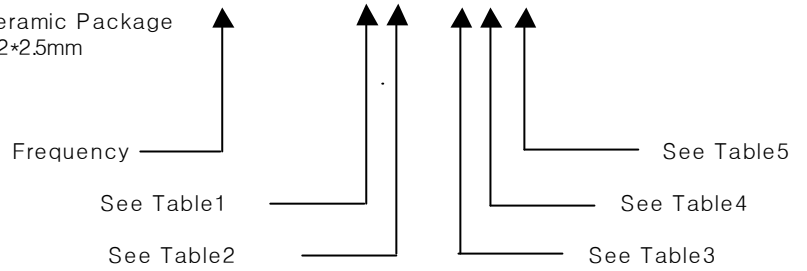
X-TAL

PXS6 : 3.2*2.5mm Ceramic
SMD PACKAGE

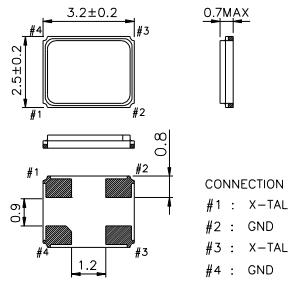
* PART NUMBERING GUIDE

P X S 6 - 2 0 M 0 0 0 - S 1 - F F B

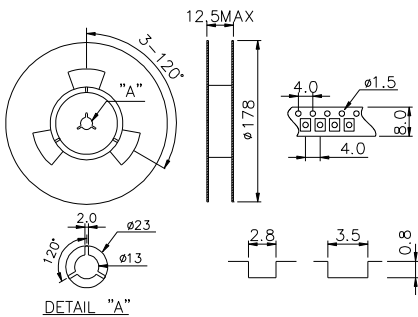
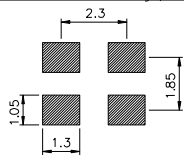
S7 : Ceramic Package
3.2*2.5mm



MECHANICAL DIMENSIONS



Recommended soldering pattern



ELECTRICAL SPECIFICATION

| | |
|--|---|
| Frequency Range | 13.000MHz to 50.000MHz |
| Load Capacitance(CL) | See Table1 (Standard 18pF) |
| Oscillation Mode | See Table2 |
| Frequency Tolerance at 25°C (RT) | ±10.0ppm to ±50.0ppm See Table3 (Standard ±50.0ppm) |
| Frequency Stability over Operating temperature range(TC) | ±10.0ppm to ±50.0ppm See Table4 (Standard ±50.0ppm) |
| Temperature Range Operating(TR) Storage | See Table 5 (Standard 0 to +70°C) Standard -40°C to 85°C |
| Drive Level(DL) | 0.01mW to 1.0mW |
| Shunt Capacitance(C0) | 7.0pF max |
| Aging | ±3.0ppm per year max |
| Insulation Resistance(IR) | 500MΩ min at 100Vdc |

| Frequency Range(MHz) | ESR(Ω max) | Mode |
|----------------------|------------|---------|
| 13.000~19.999 | 100 | AT FUND |
| 20.000~24.999 | 60 | AT FUND |
| 25.000~29.999 | 50 | AT FUND |
| 30.000~50.000 | 40 | AT FUND |

| Table1 | | Table2 | | Table3 | | Table4 | | Table5 | |
|------------------|--------|------------------|---------|---------------------|---------|---------------------|---------|-----------------------|---------|
| Load Capacitance | | Oscillation Mode | | Frequency Tolerance | | Frequency Stability | | Operating Temp. Range | |
| Symbol | CL(pF) | Symbol | Mode | Symbol | RT(ppm) | Symbol | TC(ppm) | Symbol | TR(°C) |
| S | Series | 1 | AT-FUND | A | ±10 | A | ±10 | A | 0~+50 |
| XX | XX pF | | | B | ±15 | B | ±15 | B | 0~+70 |
| | | | | C | ±20 | C | ±20 | C | -10~+60 |
| | | | | D | ±30 | D | ±30 | D | -20~+70 |
| | | | | E | ±50 | E | ±50 | E | -30~+80 |
| | | | | XX | ±XX | XX | ±XX | F | -40~+85 |
| | | | | | | | | | |
| | | | | | | | | | |
| | | | | | | | | | |