

# X-TAL

PXS4 : 6.0\*3.5mm Ceramic  
SMD PACKAGE

## \* PART NUMBERING GUIDE

**P X S 4 - 2 0 M 0 0 0 - S 1 - F F B**

S4 : Ceramic Package  
6.0\*3.5mm

Frequency

See Table1

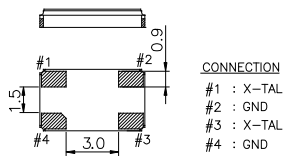
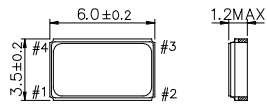
See Table2

See Table5

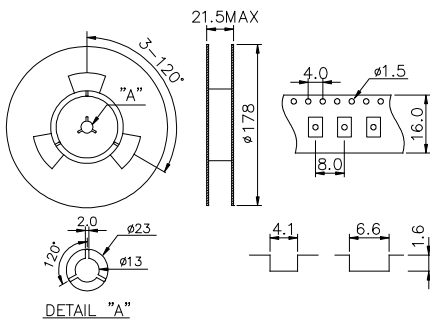
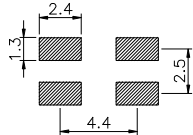
See Table4

See Table3

### MECHANICAL DIMENSIONS



Recommended soldering pattern



### ELECTRICAL SPECIFICATION

Frequency Range	10.000MHz to 125.000MHz
Load Capacitance(CL)	See Table1 (Standard 18pF)
Oscillation Mode	See Table2
Frequency Tolerance at 25°C (RT)	±5.0ppm to ±50.0ppm See Table3 (Standard ±50.0ppm)
Frequency Stability over Operating temperature range(TC)	±5.0ppm to ±50.0ppm See Table4 (Standard ±50.0ppm)
Temperature Range Operating(TR) Storage	See Table 5 (Standard 0 to +70°C) Standard -40°C to 85°C
Drive Level(DL)	0.01mW to 1.0mW
Shunt Capacitance(C0)	7.0pF max
Aging	±3.0ppm per year max
Insulation Resistance(IR)	500MΩ min at 100Vdc

Frequency Range(MHz)	ESR(Ω max)	Mode
10.000~11.999	80	AT FUND
12.000~14.999	70	AT FUND
15.000~19.999	60	AT FUND
20.000~45.000	40	AT FUND
45.000~125.000	80	3rd O/T

Table1		Table2		Table3		Table4		Table5	
Load Capacitance		Oscillation Mode		Frequency Tolerance		Frequency Stability		Operating Temp. Range	
Symbol	CL(pF)	Symbol	Mode	Symbol	RT(ppm)	Symbol	TC(ppm)	Symbol	TR(°C)
S	Series	1	AT-FUND	A	±5	A	±5	A	0~+50
XX	XX pF	2	3rd O/T	B	±10	B	±10	B	0~+70
				C	±15	C	±15	C	-10~+60
				D	±20	D	±20	D	-20~+70
				E	±30	E	±30	E	-30~+80
				F	±50	F	±50	F	-40~+85
				XX	±XX	XX	±XX		