

X-TAL

PXS1 : HC-49U/S
SMD PACKAGE

* PART NUMBERING GUIDE

P X S 1 - 2 0 M 0 0 0 - S 1 - F F B

S1 : HC-49U/S Package
4.4mm tall

Frequency

See Table1

See Table2

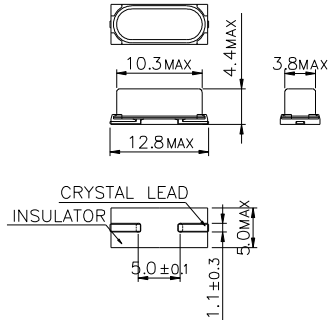


See Table5

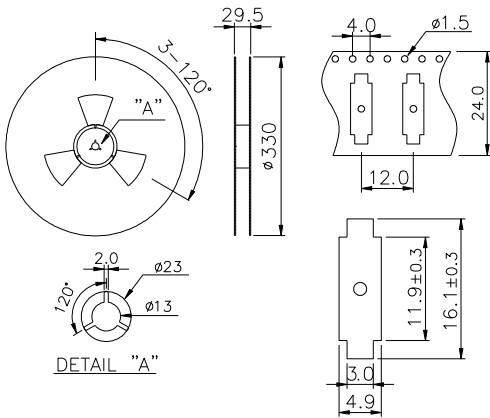
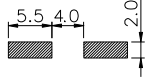
See Table4

See Table3

MECHANICAL DIMENSIONS



Recommended Soldering Pattern



ELECTRICAL SPECIFICATION

Frequency Range	3.579MHz to 85.000MHz
Load Capacitance(CL)	See Table1 (Standard 18pF)
Oscillation Mode	See Table2
Frequency Tolerance at 25°C (RT)	±10.0ppm to ±50.0ppm See Table3 (Standard ±50.0ppm)
Frequency Stability over Operating temperature range(TC)	±3.0ppm to ±50.0ppm See Table4 (Standard ±50.0ppm)
Temperature Range Operating(TR) Storage	See Table 5 (Standard 0 to +70°C) Standard -40°C to 85°C
Drive Level(DL)	0.01mW to 1.0mW
Shunt Capacitance(C0)	7.0pF max
Aging	±3.0ppm to ±5.0ppm per year max
Insulation Resistance(IR)	500MΩ min at 100Vdc

Frequency Range(MHz)	ESR(Ω max)	Mode
3.579~5.999	150~100	AT FUND
6.000~11.999	90~60	AT FUND
12.000~14.999	50	AT FUND
15.000~19.999	40	AT FUND
20.000~40.000	30	AT FUND
20.000~40.000	40	BT FUND
24.000~47.999	100	3rd O/T
48.000~85.000	80	3rd O/T

Table1		Table2		Table3		Table4		Table5	
Load Capacitance		Oscillation Mode		Frequency Tolerance		Frequency Stability		Operating Temp. Range	
Symbol	CL(pF)	Symbol	Mode	Symbol	RT(ppm)	Symbol	TC(ppm)	Symbol	TR(°C)
S	Series	1	AT-FUND	A	±10	A	±3	A	0~+50
XX	XX pF	2	BT-FUND	B	±15	B	±5	B	0~+70
		3	3rd O/T	C	±20	C	±10	C	-10~+60
				D	±30	D	±15	D	-20~+70
				E	±50	E	±20	E	-30~+80
				XX	±XX	F	±30	F	-40~+85
						G	±50		
						XX	±XX		