

# X-TAL

PXD4 : HC-49U/S  
DIP PACKAGE

## \* PART NUMBERING GUIDE

**P X D 4 - 2 0 M 0 0 0 - S 1 - F F B**

D4 : HC-49U/S Package  
3.6mm tall

Frequency

See Table1

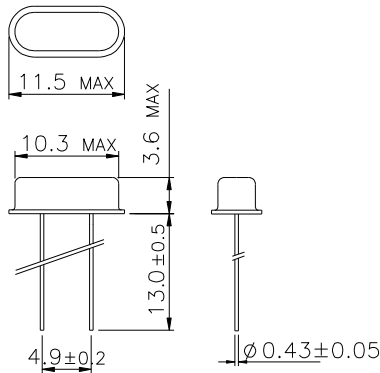
See Table2

See Table5

See Table4

See Table3

### MECHANICAL DIMENSIONS



### ELECTRICAL SPECIFICATION

Frequency Range	3.579MHz to 85.000MHz
Load Capacitance(CL)	See Table1 (Standard 18pF)
Oscillation Mode	See Table2
Frequency Tolerance at 25°C (RT)	±10.0ppm to ±50.0ppm See Table3 (Standard ±50.0ppm)
Frequency Stability over Operating temperature range(TC)	±3.0ppm to ±50.0ppm See Table4 (Standard ±50.0ppm)
Temperature Range Operating(TR) Storage	See Table 5 (Standard 0 to +70°C) Standard -40°C to 85°C
Drive Level(DL)	0.01mW to 1.0mW
Shunt Capacitance(C0)	7.0pF max
Aging	±3.0ppm to ±5.0ppm per year max
Insulation Resistance(IR)	500MΩ min at 100Vdc

Frequency Range(MHz)	ESR(Ω max)	Mode
3.579~5.999	150~100	AT FUND
6.000~11.999	90~60	AT FUND
12.000~14.999	50	AT FUND
15.000~19.999	40	AT FUND
20.000~40.000	30	AT FUND
20.000~40.000	40	BT FUND
24.000~47.999	100	3rd O/T
48.000~85.000	80	3rd O/T

Table1		Table2		Table3		Table4		Table5	
Load Capacitance		Oscillation Mode		Frequency Tolerance		Frequency Stability		Operating Temp. Range	
Symbol	CL(pF)	Symbol	Mode	Symbol	RT(ppm)	Symbol	TC(ppm)	Symbol	TR(°C)
S	Series	1	AT-FUND	A	±10	A	±3	A	0~+50
XX	XX pF	2	BT-FUND	B	±15	B	±5	B	0~+70
		3	3rd O/T	C	±20	C	±10	C	-10~+60
				D	±30	D	±15	D	-20~+70
				E	±50	E	±20	E	-30~+80
				XX	±XX	F	±30	F	-40~+85
						G	±50		
						XX	±XX		