

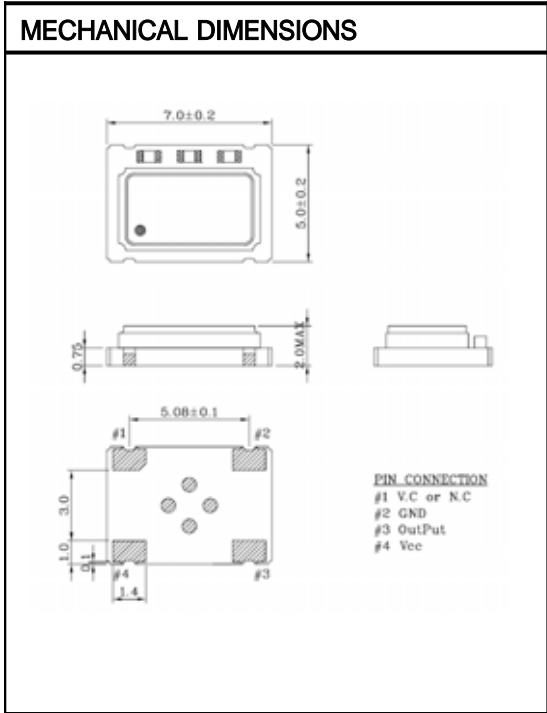
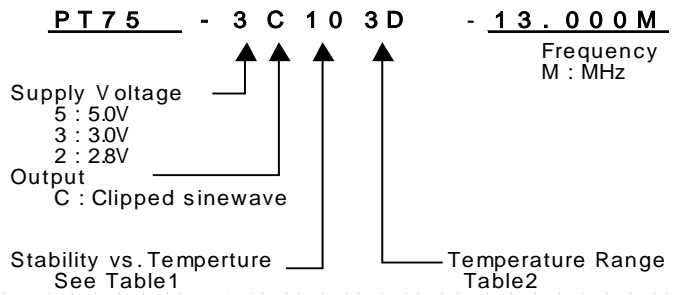
TCXO

PT75 Series

Clipped sinewave

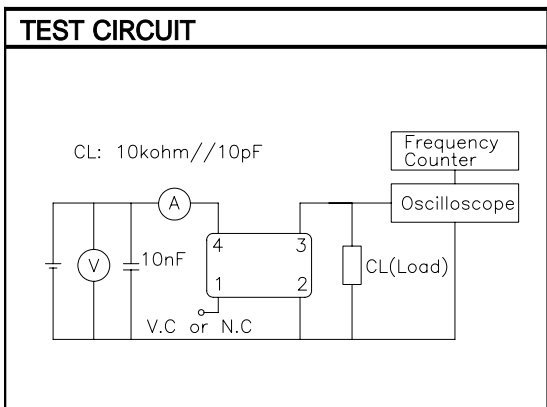
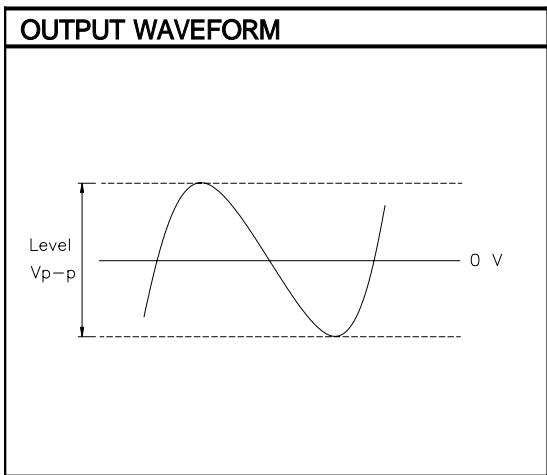
4PAD SMD PACKAGE

* PART NUMBERING GUIDE



ELECTRICAL SPECIFICATION

Frequency range	10.000MHz to 27.000MHz
Frequency Stability vs. Temperature vs. Supply Voltage vs. Load vs. Aging	±1.0 ppm to ±5.0ppm ±0.2 ppm max / Vdd ± 5% ±0.2 ppm max /15pF ±10% ±1.0 ppm max/ year
Temperature Range Operating Storage	See Table 2 -55 to 125
Supply Voltage	2.8 ~ 3.3V ± 5% 5.0V ± 5%
Input Current	2.0mA 10.000MHz to 27.000MHz
Output characteristics Clipped sinewave	Level 3.0V 0.8Vp-p min Level 5.0V 1.0Vp-p min Load 10k //10pF
Phase Noise (typical) 20MHz offset	-80 dBc / Hz @ 10Hz -110 dBc / Hz @ 100Hz -135dBc / Hz @ 1KHz -140 dBc / Hz @ 10KHz -145 dBc / Hz @100KHz



ENVIROMENTAL & MECHANICAL SPECIFICATION

Shock	MIL-STD-883C, Method 2002, Condition B
Vibration	MIL-STD-883C, Method 2007, Condition A
Solderability	MIL-STD-883C, Method 2003
Seal integrity	MIL-STD-883C, Method 1014, Condition C & A2
Marking	MIL-STD-202F, Method 215

TABLE1

Symbol	Stability
10	±1.0ppm
15	±1.5ppm
20	±2.0ppm
25	±2.5ppm
30	±3.0ppm
35	±3.5ppm
50	±5.0ppm

TABLE2

Symbol	Temp.	Symbol	Temp.
0	0	A	50
1	-10	B	60
2	-20	C	70
3	-30	D	75
4	-40	E	80
		F	85