

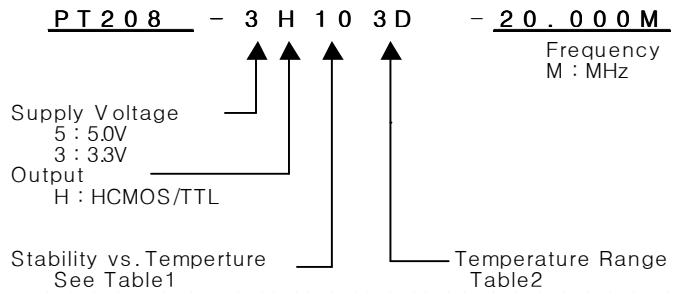
TCXO

PT208 Series

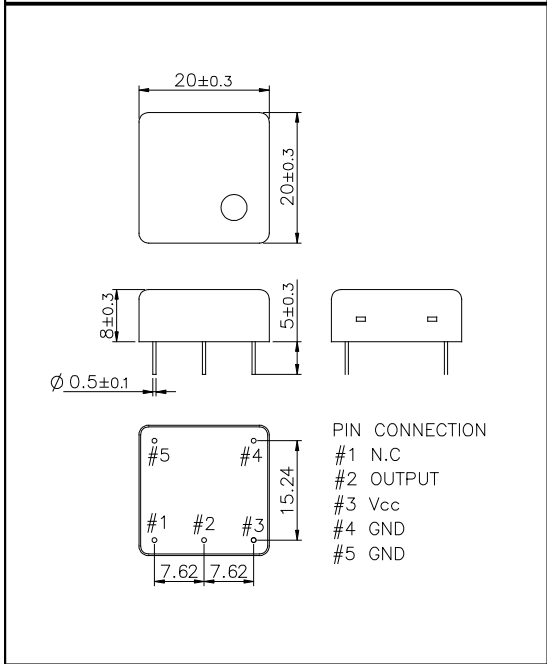
HCMOS/TTL

5PIN DIP PACKAGE

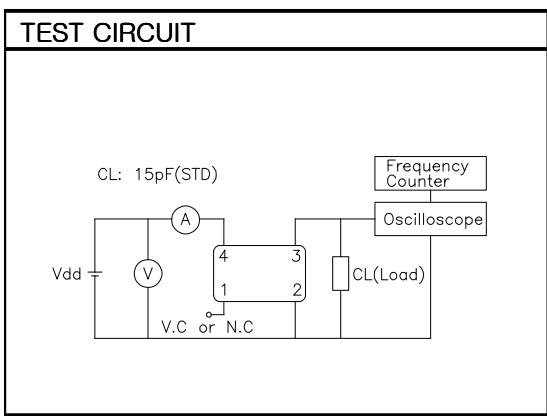
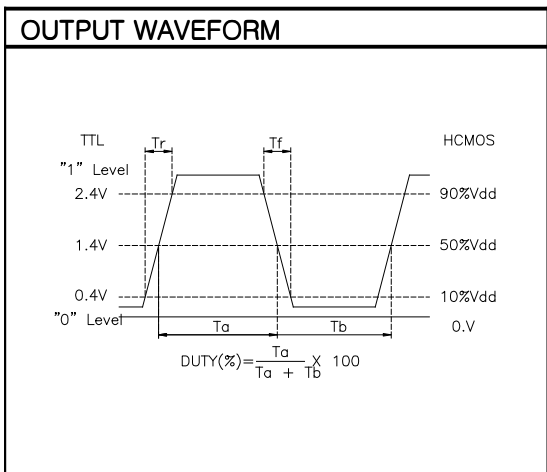
* PART NUMBERING GUIDE



MECHANICAL DIMENSIONS	ELECTRICAL SPECIFICATION
-----------------------	--------------------------



Frequency range	1.000KHz to 800.000MHz All combination of Frequency range Vs. Package type might not be available ,please contact factory.																		
Frequency Stability vs. Temperature vs. Supply Voltage vs. Load vs. Aging	±0.5 ppm to ±5.0ppm ±0.1 / ±0.3 ppm max / Vdd ± 5% ±0.2 ppm max / 15pF ±10% ±1.0 ppm max/ year																		
Temperature Range Operating Storage	See Table 2 -55°C to 125°C																		
Supply Voltage	3.3V ± 5% 5.0V ± 5%																		
Input Current 3.3 V , 5V	1.000KHz ~ 40.000MHz ~ 800.000MHz 15mA max ~ 30mA max ~ 50mA max																		
Output characteristics	<table border="1" style="width: 100%; border-collapse: collapse;"> <thead> <tr> <th></th> <th>HCMOS</th> <th>TTL</th> </tr> </thead> <tbody> <tr> <td>Logic "1"</td> <td>90% Vdd min</td> <td>2.4V min</td> </tr> <tr> <td>Logic "1"</td> <td>10% Vdd max</td> <td>0.4V min</td> </tr> <tr> <td>Load</td> <td>15pF</td> <td>10TTL</td> </tr> <tr> <td>Duty Cycle</td> <td>40/60</td> <td>40/60</td> </tr> <tr> <td>Rise & Fall</td> <td>10nS max</td> <td>10nS max</td> </tr> </tbody> </table>		HCMOS	TTL	Logic "1"	90% Vdd min	2.4V min	Logic "1"	10% Vdd max	0.4V min	Load	15pF	10TTL	Duty Cycle	40/60	40/60	Rise & Fall	10nS max	10nS max
	HCMOS	TTL																	
Logic "1"	90% Vdd min	2.4V min																	
Logic "1"	10% Vdd max	0.4V min																	
Load	15pF	10TTL																	
Duty Cycle	40/60	40/60																	
Rise & Fall	10nS max	10nS max																	
Phase Noise (typical) 20MHz offset	-80 dBc / Hz @ 10Hz -120 dBc / Hz @ 100Hz -135 dBc / Hz @ 1KHz -140 dBc / Hz @ 10KHz -145 dBc / Hz @100KHz																		
Frequency Adjustment	±3ppm min by internal trimmer																		



ENVIROMENTAL & MECHANICAL SPECIFICATION

Shock	MIL-STD-883C, Method 2002, Condition B
Vibration	MIL-STD-883C, Method 2007, Condition A
Solderability	MIL-STD-883C, Method 2003
Seal integrity	MIL-STD-883C, Method 1014, Condition C & A2
Marking	MIL-STD-202F, Method 215

TABLE1

Symbol	Stability
05	±0.5ppm
10	±1.0ppm
15	±1.5ppm
20	±2.0ppm
25	±2.5ppm
30	±3.0ppm
35	±3.5ppm
50	±5.0ppm

TABLE2

Symbol	Temp.	Symbol	Temp.
0	0°C	A	50°C
1	-10°C	B	60°C
2	-20°C	C	70°C
3	-30°C	D	75°C
4	-40°C	E	80°C
		F	85°C