

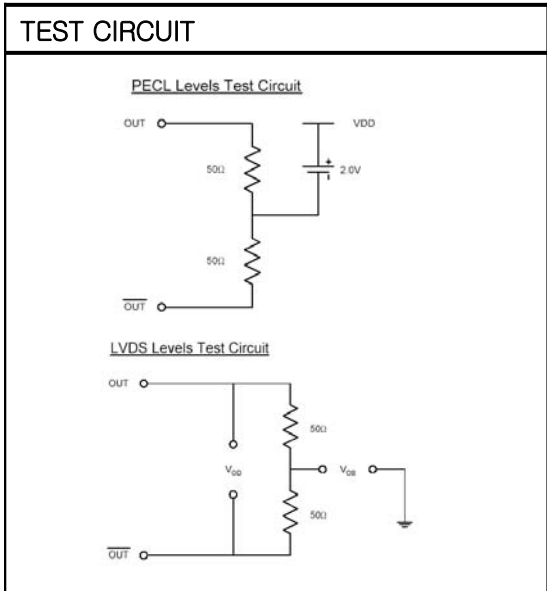
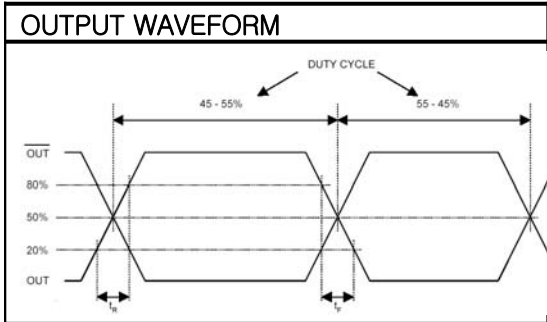
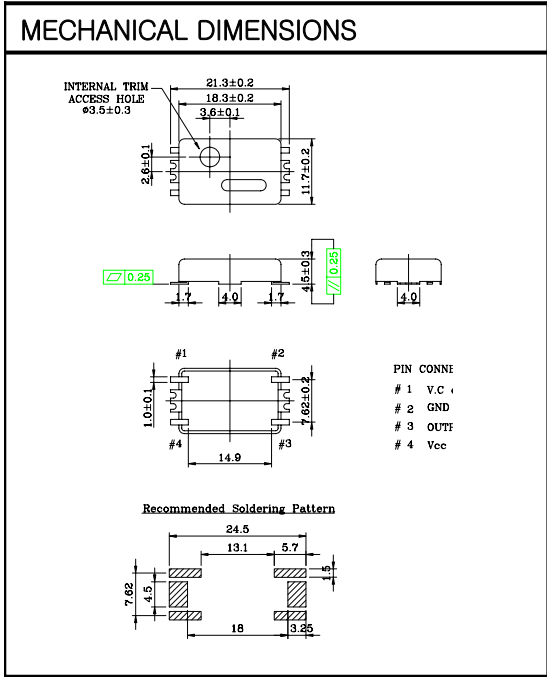
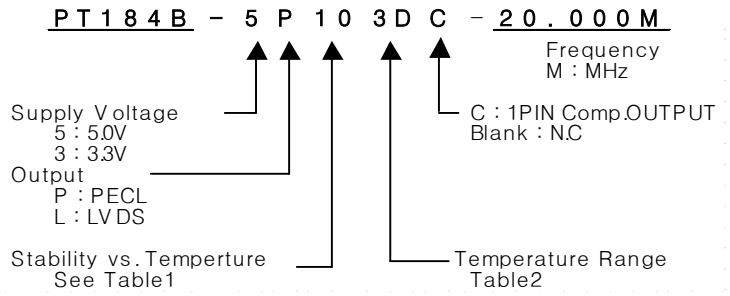
TCXO

PT184B Series

PECL/LVDS

4PAD SMD PACKAGE

* PART NUMBERING GUIDE



ELECTRICAL SPECIFICATION

Frequency range	0.75MHz to 800.000MHz All combination of Frequency range Vs. Package type might not be available ,please contact factory.																								
Frequency Stability vs. Temperature vs. Supply Voltage vs. Load vs. Aging	± 0.5 ppm to ± 5.0 ppm ± 0.1 / ± 0.3 ppm max / Vdd $\pm 5\%$ ± 0.2 ppm max /15pF $\pm 10\%$ ± 1.0 ppm max/ year																								
Temperature Range Operating Storage	See Table 2 -55°C to 125°C																								
Supply Voltage	3.3V $\pm 5\%$ 5.0V $\pm 5\%$																								
Input Current 3.3 V , 5V	24.000MHz ~ 800.000MHz 25mA max ~ 100mA max																								
Output characteristics	<table border="1"> <thead> <tr> <th></th> <th>pecl</th> <th>lvds</th> </tr> </thead> <tbody> <tr> <td>Voh Logic "1"</td> <td>Vdd-1.025v min.</td> <td>1.43v typ.</td> </tr> <tr> <td>Vol Logic "0"</td> <td>Vdd-1.620v max.</td> <td>1.10v typ.</td> </tr> <tr> <td>Rise Time Tr</td> <td>1.0 nsec max.</td> <td>1.0 nsec max.</td> </tr> <tr> <td>Fall Time Tf</td> <td>1.0 nsec min.</td> <td>1.0 nsec min.</td> </tr> <tr> <td>Duty Cycle</td> <td>50//50 $\pm 5\%$</td> <td>50//50 $\pm 5\%$</td> </tr> <tr> <td>Differential Output</td> <td>Vod(Lvds)</td> <td>330mV typ.</td> </tr> <tr> <td>Offset Voltage</td> <td>Vos(Lvds)</td> <td>1.2V typ.</td> </tr> </tbody> </table>		pecl	lvds	Voh Logic "1"	Vdd-1.025v min.	1.43v typ.	Vol Logic "0"	Vdd-1.620v max.	1.10v typ.	Rise Time Tr	1.0 nsec max.	1.0 nsec max.	Fall Time Tf	1.0 nsec min.	1.0 nsec min.	Duty Cycle	50//50 $\pm 5\%$	50//50 $\pm 5\%$	Differential Output	Vod(Lvds)	330mV typ.	Offset Voltage	Vos(Lvds)	1.2V typ.
	pecl	lvds																							
Voh Logic "1"	Vdd-1.025v min.	1.43v typ.																							
Vol Logic "0"	Vdd-1.620v max.	1.10v typ.																							
Rise Time Tr	1.0 nsec max.	1.0 nsec max.																							
Fall Time Tf	1.0 nsec min.	1.0 nsec min.																							
Duty Cycle	50//50 $\pm 5\%$	50//50 $\pm 5\%$																							
Differential Output	Vod(Lvds)	330mV typ.																							
Offset Voltage	Vos(Lvds)	1.2V typ.																							
Phase Noise (typical) 20MHz offset	-80 dBc / Hz @ 10Hz -120 dBc / Hz @ 100Hz -135 dBc / Hz @ 1KHz -140 dBc / Hz @ 10KHz -145 dBc / Hz @100KHz																								
Frequency Adjustment	± 3 ppm min by internal trimmer																								

ENVIROMENTAL & MECHANICAL SPECIFICATION

Shock	MIL-STD-883C, Method 2002, Condition B
Vibration	MIL-STD-883C, Method 2007, Condition A
Solderability	MIL-STD-883C, Method 2003
Seal integrity	MIL-STD-883C, Method 1014, Condition C & A2
Marking	MIL-STD-202F, Method 215

Symbol	Stability
05	± 0.5 ppm
10	± 1.0 ppm
15	± 1.5 ppm
20	± 2.0 ppm
25	± 2.5 ppm
30	± 3.0 ppm
35	± 3.5 ppm
50	± 5.0 ppm

Symbol	Temp.	Symbol	Temp.
0	0°C	A	50°C
1	-10°C	B	60°C
2	-20°C	C	70°C
3	-30°C	D	75°C
4	-40°C	E	80°C
		F	85°C