

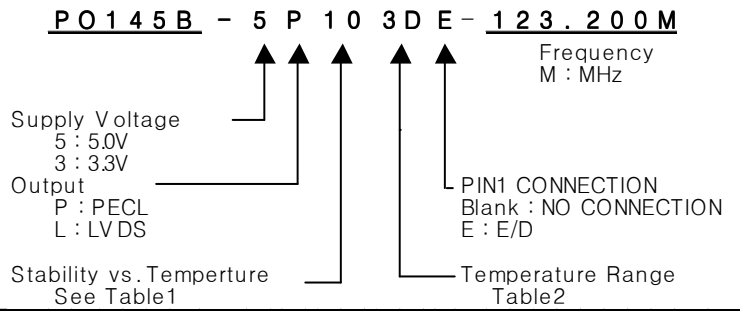
# OSC

## PO145B Series

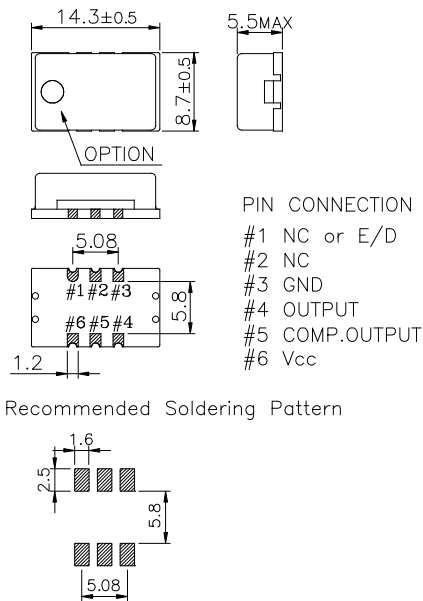
### PECL/LVDS

### 6PAD SMD PACKAGE

### \* PART NUMBERING GUIDE



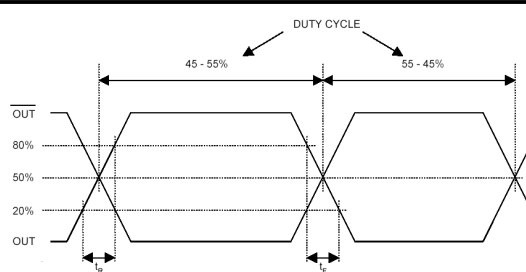
### MECHANICAL DIMENSIONS



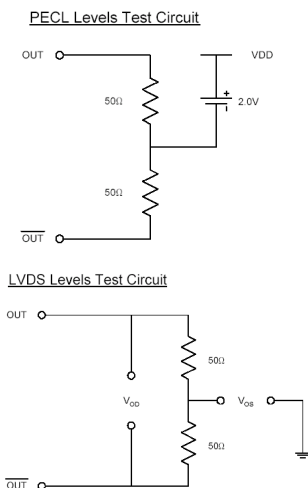
### ELECTRICAL SPECIFICATION

Frequency range	0.75MHz to 800.000MHz All combination of Frequency range Vs. Package type might not be available ,please contact factory	
Frequency Stability vs. Temperature vs. Aging	± 10 ppm to ±50ppm ±3.0 ppm max/ year	
Temperature Range Operating Storage	See Table 2 -55°C to 105°C	
Supply Voltage	3.3V ± 5% 5.0V ± 5%	
Input Current 3.3 V , 5V	24.000MHz ~ 25mA max	800.000MHz ~ 100mA max
Output characteristics	pecl	lvds
	Voh Logic "1" Vdd-1.025v min.	1.43v typ.
	Vol Logic "0" Vdd-1.620v max.	1.10v typ.
	Rise Time Tr 1.0 nsec max.	1.0 nsec max.
	Fall Time Tf 1.0 nsec min.	1.0 nsec min.
	Duty Cycle 50//50 ± 5%	50//50 ± 5%
	Differential Output Vod(Lvds)	330mV typ.
	Offset Voltage Vos(Lvds)	1.2V typ
JITTER (RMS)	Phase Jitter (12KHz ~ 20MHz) 1.0 psec MAX	
Pin 1 Tri-State Input Voltage	No Connection Vh ≥ 2.0 Vdc Vi ≤ 0.8 Vdc	Disable Output Disable Output Enable Output

### OUTPUT WAVEFORM



### TEST CIRCUIT



### ENVIROMENTAL & MECHANICAL SPECIFICATION

Shock	MIL-STD-883C, Method 2002, Condition B
Vibration	MIL-STD-883C, Method 2007, Condition A
Solderability	MIL-STD-883C, Method 2003
Seal integrity	MIL-STD-883C, Method 1014, Condition C & A2
Marking	MIL-STD-202F, Method 215

### TABLE1

Symbol	Stability
10	± 10ppm
15	± 15ppm
20	± 20ppm
30	± 30ppm
50	± 50ppm
100	±100ppm

### TABLE2

Symbol	Temp.	Symbol	Temp.
0	0°C	A	50°C
1	-10°C	B	60°C
2	-20°C	C	70°C
3	-30°C	D	75°C
4	-40°C	E	80°C
		F	85°C