

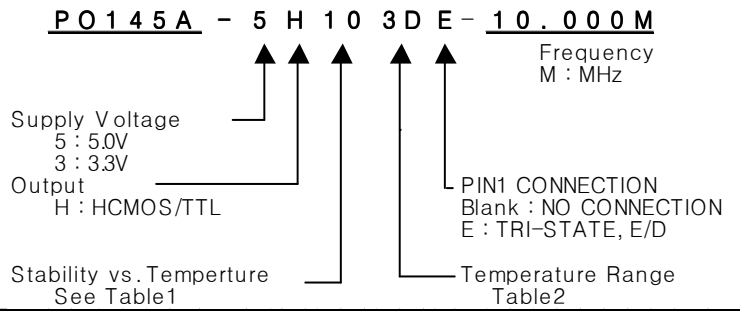
# OSC

## PO145A Series

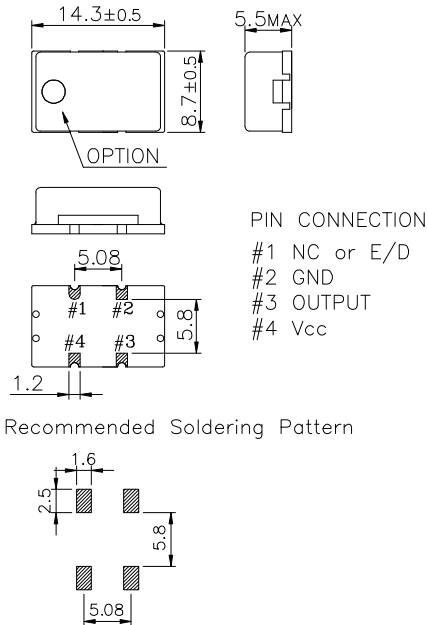
### HCMOS/TTL

### 4PAD SMD PACKAGE

### \* PART NUMBERING GUIDE



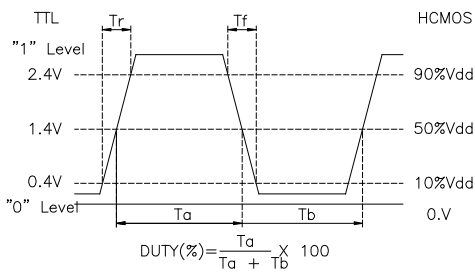
## MECHANICAL DIMENSIONS



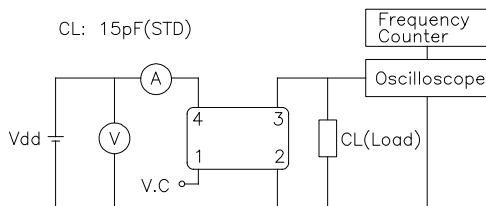
## ELECTRICAL SPECIFICATION

|   |  |  |
|---|--|--|
| Frequency range                                     | 1.000KHz to 800.000MHz<br>All combination of Frequency range Vs. Package type might not be available ,please contact factory |  |
| Frequency Stability<br>vs. Temperature<br>vs. Aging | ± 10 ppm to ±50ppm<br>±3.0 ppm max/ year   |  |
| Temperature Range<br>Operating<br>Storage           | See Table 2<br>-55°C to 105°C  |  |
| Supply Voltage                                      | 3.3V ± 5%<br>5.0V ± 5%   |  |
| Input Current                                       | 24.000MHz ~ 800.000MHz<br>25mA max ~ 100mA max   |  |
| Output characteristics<br>HCMOS / TTL               | HCMOS  | TTL  |
| Logic "1"   | 90% Vdd min  | 2.4V min   |
| Logic "1"   | 10% Vdd max  | 0.4V min   |
| Load  | 15pF   | 10TTL  |
| Duty Cycle  | 40/60  | 40/60  |
| Rise & Fall   | 10nS max   | 10nS max   |
| Pin 1 Tri-State<br>Input Voltage                    | No Connection<br>Vh ≥ 2.0 Vdc<br>Vi ≤ 0.8 Vdc  | Enable Output<br>Enable Output<br>Disable Output |

## OUTPUT WAVEFORM



## TEST CIRCUIT



## ENVIROMENTAL & MECHANICAL SPECIFICATION

|                |   |
|----------------|---|
| Shock          | MIL-STD-883C, Method 2002, Condition B      |
| Vibration      | MIL-STD-883C, Method 2007, Condition A      |
| Solderability  | MIL-STD-883C, Method 2003                   |
| Seal integrity | MIL-STD-883C, Method 1014, Condition C & A2 |
| Marking        | MIL-STD-202F, Method 215                    |

| TABLE1 |           | TABLE2 |       |        |       |
|--------|-----------|--------|-------|--------|-------|
| Symbol | Stability | Symbol | Temp. | Symbol | Temp. |
| 10     | ± 10ppm   | 0      | 0°C   | A      | 50°C  |
| 15     | ± 15ppm   | 1      | -10°C | B      | 60°C  |
| 20     | ± 20ppm   | 2      | -20°C | C      | 70°C  |
| 30     | ± 30ppm   | 3      | -30°C | D      | 75°C  |
| 50     | ± 50ppm   | 4      | -40°C | E      | 80°C  |
| 100    | ±100ppm   |        |       | F      | 85°C  |