

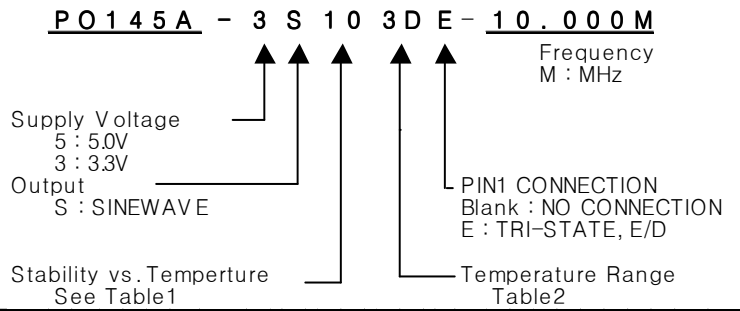
# OSC

## PV145A Series

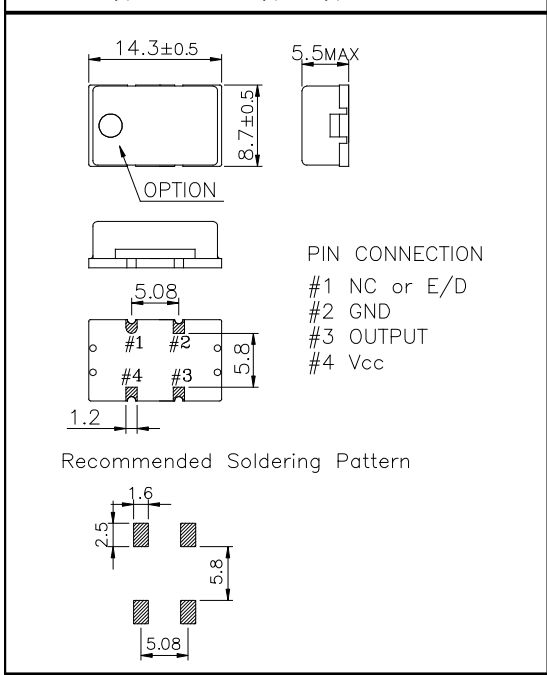
### Sinewave

### 4PAD SMD PACKAGE

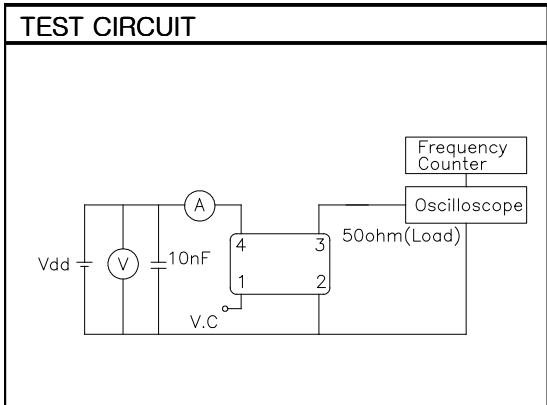
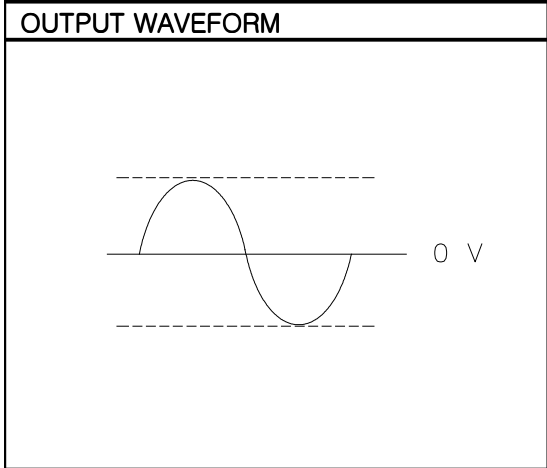
### \* PART NUMBERING GUIDE



MECHANICAL DIMENSIONS	ELECTRICAL SPECIFICATION
-----------------------	--------------------------



Frequency range	6.000MHz to 190.000MHz All combination of Frequency range Vs. Package type might not be available ,please contact factory																			
Frequency Stability vs. Temperature vs. Aging	± 10 ppm to ±50ppm ±3.0 ppm max/ year																			
Temperature Range Operating Storage	See Table 2 -55°C to 105°C																			
Supply Voltage	3.3V ± 5% 5.0V ± 5%																			
Input Current		<table style="width: 100%; border-collapse: collapse;"> <tr> <td style="width: 30%;"></td> <td style="width: 35%; text-align: center;">3.3V</td> <td style="width: 35%; text-align: center;">5.0V</td> </tr> <tr> <td><math>f_o \leq 25.000\text{MHz}</math></td> <td style="text-align: center;">15mA</td> <td style="text-align: center;">20mA</td> </tr> <tr> <td><math>f_o \leq 50.000\text{MHz}</math></td> <td style="text-align: center;">25mA</td> <td style="text-align: center;">30mA</td> </tr> <tr> <td><math>f_o \leq 80.000\text{MHz}</math></td> <td style="text-align: center;">35mA</td> <td style="text-align: center;">50mA</td> </tr> <tr> <td><math>f_o \leq 125.000\text{MHz}</math></td> <td style="text-align: center;">40mA</td> <td style="text-align: center;">60mA</td> </tr> <tr> <td><math>f_o \leq 190.000\text{MHz}</math></td> <td style="text-align: center;">45mA</td> <td style="text-align: center;">70mA</td> </tr> </table>		3.3V	5.0V	$f_o \leq 25.000\text{MHz}$	15mA	20mA	$f_o \leq 50.000\text{MHz}$	25mA	30mA	$f_o \leq 80.000\text{MHz}$	35mA	50mA	$f_o \leq 125.000\text{MHz}$	40mA	60mA	$f_o \leq 190.000\text{MHz}$	45mA	70mA
	3.3V	5.0V																		
$f_o \leq 25.000\text{MHz}$	15mA	20mA																		
$f_o \leq 50.000\text{MHz}$	25mA	30mA																		
$f_o \leq 80.000\text{MHz}$	35mA	50mA																		
$f_o \leq 125.000\text{MHz}$	40mA	60mA																		
$f_o \leq 190.000\text{MHz}$	45mA	70mA																		
Output characteristics	<p style="text-align: center;">Sinewave</p> <table style="width: 100%; border-collapse: collapse;"> <tr> <td style="width: 30%;">Level</td> <td style="width: 35%;">3.3V</td> <td style="width: 35%;">0 dBm typ</td> </tr> <tr> <td></td> <td>5.0V</td> <td>10 dBm typ</td> </tr> <tr> <td>Load</td> <td colspan="2" style="text-align: center;">50Ω</td> </tr> </table>		Level	3.3V	0 dBm typ		5.0V	10 dBm typ	Load	50Ω										
Level	3.3V	0 dBm typ																		
	5.0V	10 dBm typ																		
Load	50Ω																			
Pin 1 Tri-State Input Voltage	<table style="width: 100%; border-collapse: collapse;"> <tr> <td style="width: 30%;">No Connection</td> <td style="width: 35%;">Disable Output</td> <td style="width: 35%;"></td> </tr> <tr> <td><math>V_h \geq 2.0\text{ Vdc}</math></td> <td>Enable Output</td> <td></td> </tr> <tr> <td><math>V_l \leq 0.8\text{ Vdc}</math></td> <td>Disable Output</td> <td></td> </tr> </table>		No Connection	Disable Output		$V_h \geq 2.0\text{ Vdc}$	Enable Output		$V_l \leq 0.8\text{ Vdc}$	Disable Output										
No Connection	Disable Output																			
$V_h \geq 2.0\text{ Vdc}$	Enable Output																			
$V_l \leq 0.8\text{ Vdc}$	Disable Output																			



### ENVIROMENTAL & MECHANICAL SPECIFICATION

Shock	MIL-STD-883C, Method 2002, Condition B
Vibration	MIL-STD-883C, Method 2007, Condition A
Solderability	MIL-STD-883C, Method 2003
Seal integrity	MIL-STD-883C, Method 1014, Condition C & A2
Marking	MIL-STD-202F, Method 215

### TABLE1

Symbol	Stability
10	± 10ppm
15	± 15ppm
20	± 20ppm
30	± 30ppm
50	± 50ppm
100	±100ppm

### TABLE2

Symbol	Temp.	Symbol	Temp.
0	0°C	A	50°C
1	-10°C	B	60°C
2	-20°C	C	70°C
3	-30°C	D	75°C
4	-40°C	E	80°C
		F	85°C