

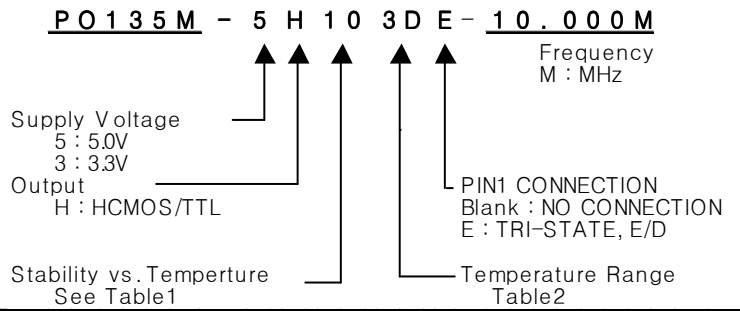
OSC

PO135M Series

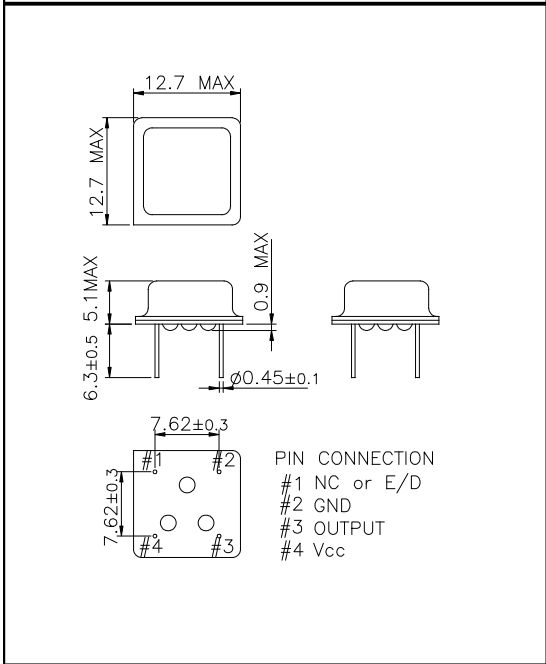
HCMOS/TTL

8PIN DIP PACKAGE

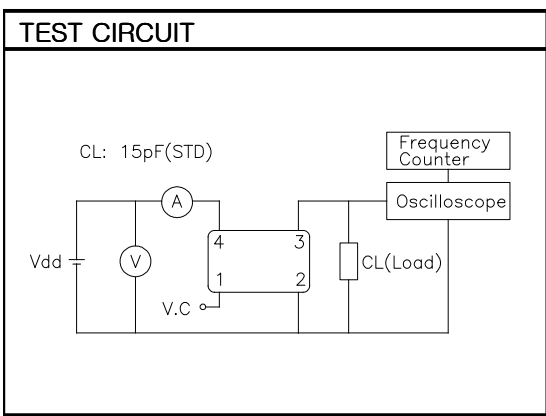
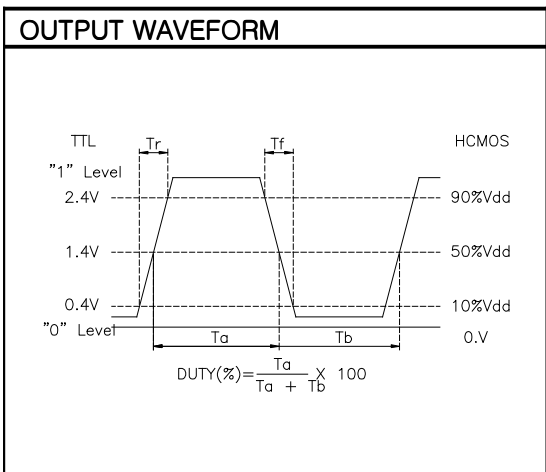
* PART NUMBERING GUIDE



MECHANICAL DIMENSIONS	ELECTRICAL SPECIFICATION
-----------------------	--------------------------



Frequency range	1.000KHz to 800.000MHz All combination of Frequency range Vs. Package type might not be available ,please contact factory	
Frequency Stability vs. Temperature vs. Aging	± 10 ppm to ±50ppm ±3.0 ppm max/ year	
Temperature Range Operating Storage	See Table 2 -55°C to 105°C	
Supply Voltage	3.3V ± 5% 5.0V ± 5%	
Input Current	24.000MHz ~ 800.000MHz 25mA max ~ 100mA max	
Output characteristics HCMOS / TTL	HCMOS	TTL
Logic "1"	90% Vdd min	2.4V min
Logic "1"	10% Vdd max	0.4V min
Load	15pF	10TTL
Duty Cycle	40/60	40/60
Rise & Fall	10nS max	10nS max
Pin 1 Tri-State Input Voltage	No Connection Vh ≥ 2.0 Vdc Vi ≤ 0.8 Vdc	Enable Output Enable Output Disable Output



ENVIROMENTAL & MECHANICAL SPECIFICATION

Shock	MIL-STD-883C, Method 2002, Condition B
Vibration	MIL-STD-883C, Method 2007, Condition A
Solderability	MIL-STD-883C, Method 2003
Seal integrity	MIL-STD-883C, Method 1014, Condition C & A2
Marking	MIL-STD-202F, Method 215

TABLE1

Symbol	Stability
10	± 10ppm
15	± 15ppm
20	± 20ppm
30	± 30ppm
50	± 50ppm
100	± 100ppm

TABLE2

Symbol	Temp.	Symbol	Temp.
0	0°C	A	50°C
1	-10°C	B	60°C
2	-20°C	C	70°C
3	-30°C	D	75°C
4	-40°C	E	80°C
		F	85°C